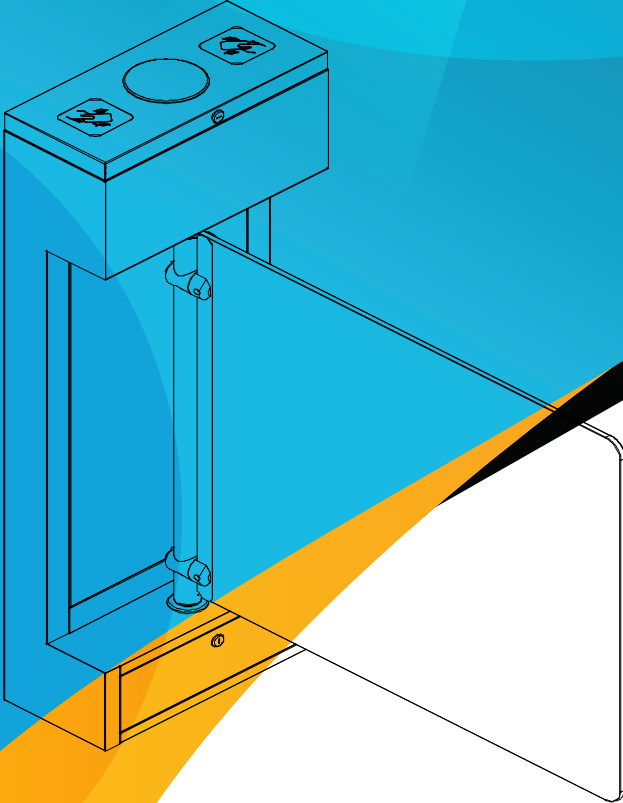


Perkotech

"Everything is under control"

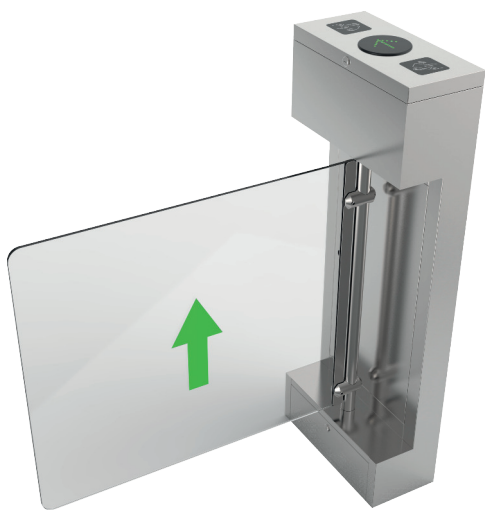


AVAX[®]com.tr
C90 Swing Gate Turnstile

PERKOTEK TEKNOLOJİ A.Ş.

📍 Mahmutbey Mah. Ordu Cad. No:29 Perkotech Plaza/Bagcilar/Istanbul
🌐 www.perkotech.com ✉ sales@perkotech.com ☎ 0 850 811 8000

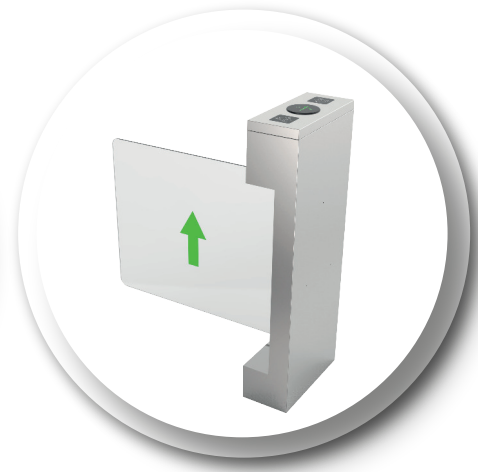
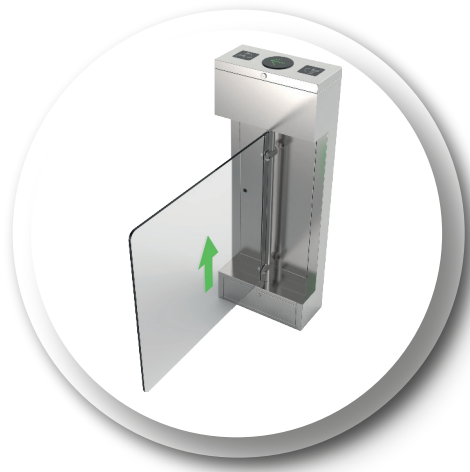
Avax C90 Swing Gate Turnstile



Swing Gate Turnstile with plexy glass has a compact design and saves space. It can run in combination with access control systems or can be controlled by remote control or button if desired. The thick plexy arm is impact resistant and does not break easily.

It has a powerful motor that can handle the weight of the arm and has been tested for opening and closing 3 million times. It is ideal for intensive use and adds elegance to the area that it is used with its decorative appearance. When it is opened, it leaves a clear passing area of 90 cm and can easily pass disabled vehicles such as wheelchairs. It can be operated combined with tripod and quick pass turnstiles nearby them .

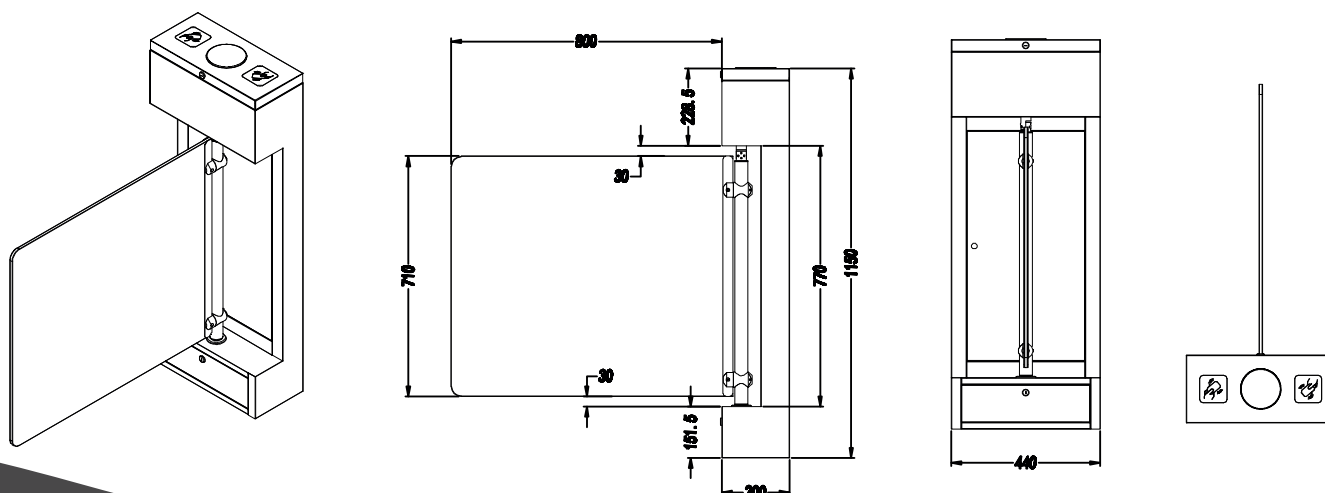
It has two plastic covers on it and allows you to easily install the access control device. The opening and closing times of the swing gate turnstile door can be adjusted. Suitable for intensive passings, runs quiet and fast.



Technical Specifications

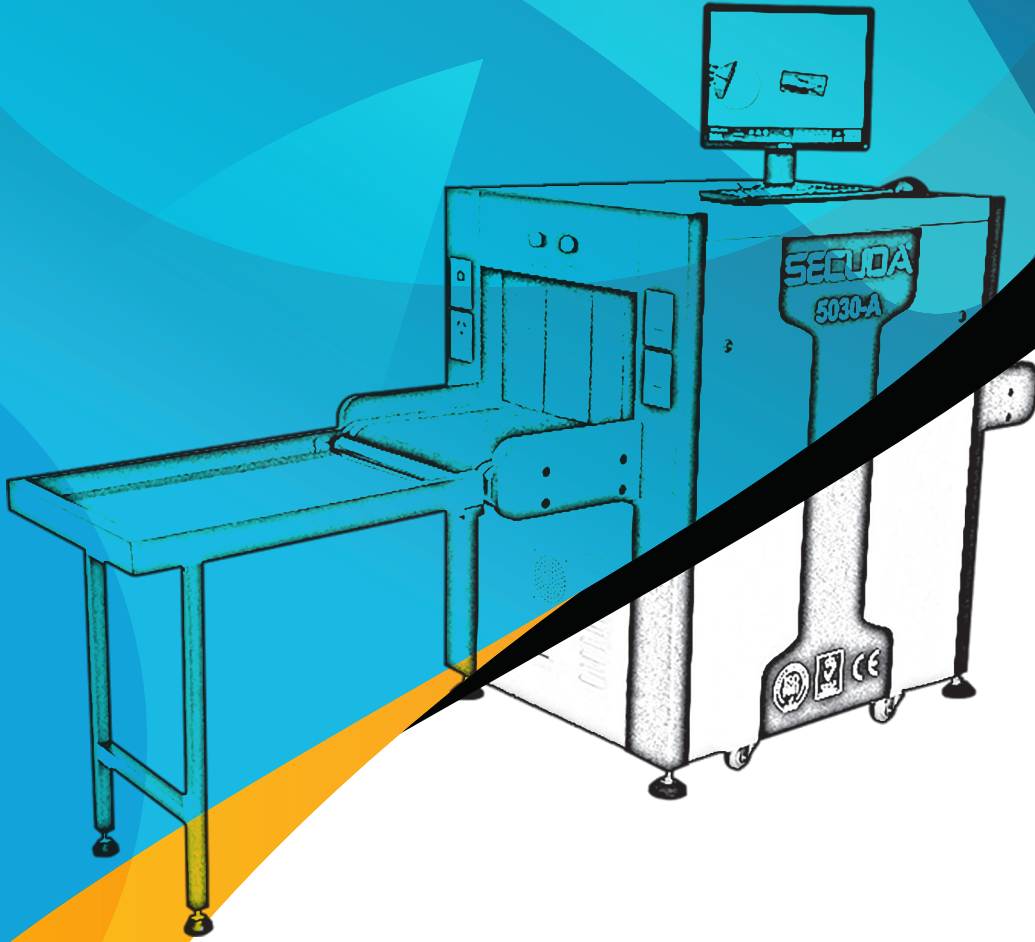
Body	AISI 304 quality stainless steel
Arms	Plexy glass
Passing Distance	50-55cm
Tripod Lockout	Allows passing only when the solenoid is pulled
Direction of Passing	It can be adjusted as Entry only, Exit only, or passing from both directions as desired
Passing Time	Adjustable as required
Warning for pass	Provides visual and audible warnings
Passing Information	NC: Normally closed or NO: Normally open
Passing Speed	~ 70 people / minute
Passing Control	Single pass in the set direction, two-way single pass, free pass, always locked or released
Operating voltage	220/240 V
Power consumption	24 W
Frequency	50-60 Hz
Area of Use	Indoor and Outdoor
Operating temperature	-25 to +70 Degrees
Test Result	Tested 3 Million passes
Weight	Approx. 35 kg
Installed Dimensions	440 x 200 x 1150 mm
Access Control	It can run together combined with Fingerprint, face recognition, vein recognition and card readers by receiving the signal.
Certifications	ISO, CE and Warranty certificate

Technical Drawing



Perkotec

"Everything is Under Control"



SECUDA®

5030A X-RAY DEVICE

PERKOTEK TEKNOLOJI A.S.

📍 Mahmutbey Mah. Ordu Cad. No:29 Perkotek Plaza/Bagcilar/Istanbul

🌐 www.perkotec.com ✉ sales@perkotec.com ☎ 0 850 811 8000

SECUDA 5030A X-RAY DEVICE



Thanks to its high resolution feature , produced for precision searching ,and with a tunnel length of 500 mm x 300 mm, you can display the content images of bag, suitcase, package ,envelope and SECUDA 5030A X-Ray machine is suitable for checking all kinds of passing baggage . By means of transmitting X Rays into the baggage , it immediately reflects dangerous and threatening factors on the screen. It seperates Organic -inorganic metals and shows them in different colors.

It can show the inside of even 14 mm thickness steel bag without any need to open it. XRAY Generator surroundings and cabin interior surfaces are insulated with lead plates against radiation leakage. The black curtains are made of lead mixture which are located in the direction of entry and exit of the luggage and protects the health of the Xray device using operator and passing people from negative factors .It has been manufactured according to the standards of Turkey Atomic Energy Agency and received the accreditation.

Technical Specifications

General Definitions

Tunnel Size	500 mm (Width) x 300 mm (Height)
Weight	400 kg
Conveyor Belt Speed	0.22m / sec
Conveyor Maximum Load	170 kg
Dose Per Examination	<2.9µGy / hour
Resolution	<0.1 mm metal wire
Penetration	14 mm steel
Film Security	Guaranteed ISO1600 Film
X-ray Leakage	<0.05 µGy / hour (5 cm from the external housing)

X-Ray Generator

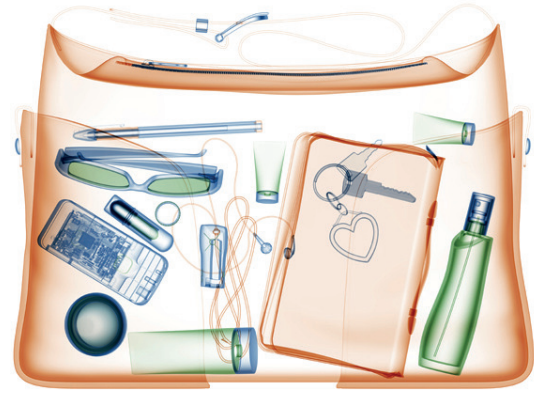
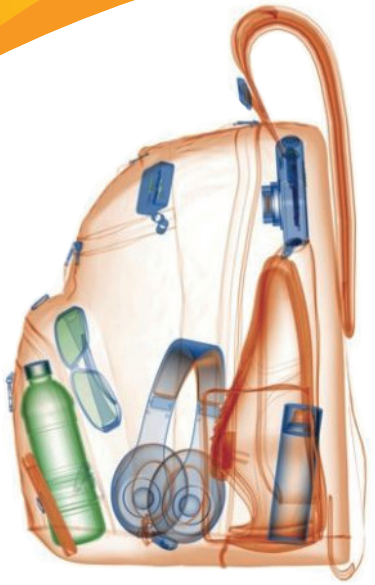
Energy	Single Energy
Direct Production	Up
Angle Production	80 degrees
Anode Voltage	80 Kv
Anode Power	0.4 Up
Cooling / Duty time (Duty cycle)	Oil Cooling / 100%

Display System

X-ray Sensor	L-shaped photodiode array (mono energy), 12bit depth
Monitor	High definition color, LCD compatible, 19inch Philips brand
Image processing	Edge enhancement, image enhancement, image illumination, darkening reduction, image return , image retrieval.
Image Gray Level	4096
Image Maximum Resolution	1024 x 1280 pixels.
Image processing	24bit real time processing.
Software	It can display organic and inorganic materials in different colors with its colored software.

Usage Areas

- ✓ Factories
- ✓ Airports
- ✓ Public institutions
- ✓ Stadiums
- ✓ Smart Buildings
- ✓ Prisons
- ✓ Logistics Areas
- ✓ Police Stations
- ✓ Residences
- ✓ Dams
- ✓ Business centers
- ✓ Academies
- ✓ Hotels
- ✓ Military Areas
- ✓ Shopping malls
- ✓ Dining Halls
- ✓ Gyms
- ✓ Activity Areas
- ✓ Fair Entries
- ✓ Public Transport Stations



ORGANIC

Atomic numbers from 1 to 10 are called organic compounds and are shown in orange. Examples of organic compounds; paper, textiles, wood and water.

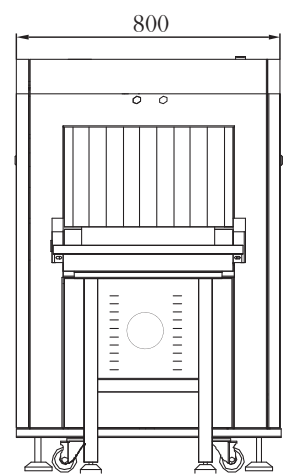
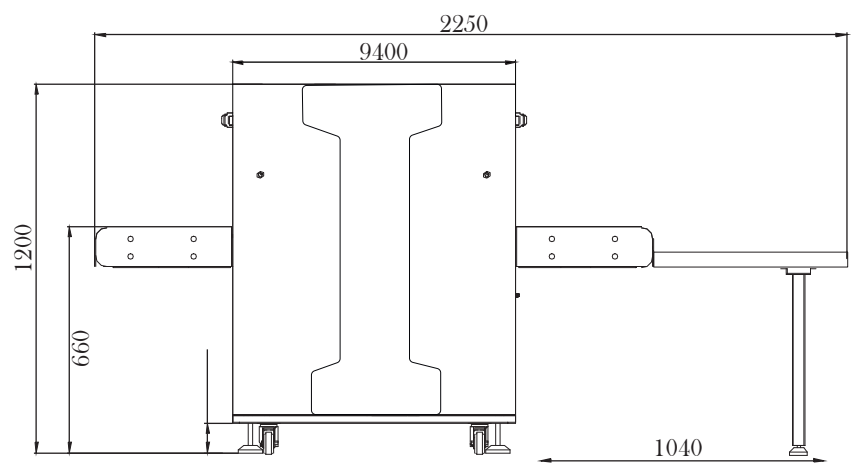
INORGANIC

:Those with an atomic number greater than 18 are referred to as inorganic and indicated with blue. Examples of inorganic substances are titanium, chromium, iron, steel, tin, lead, copper, silver, gold.

MIXTURE

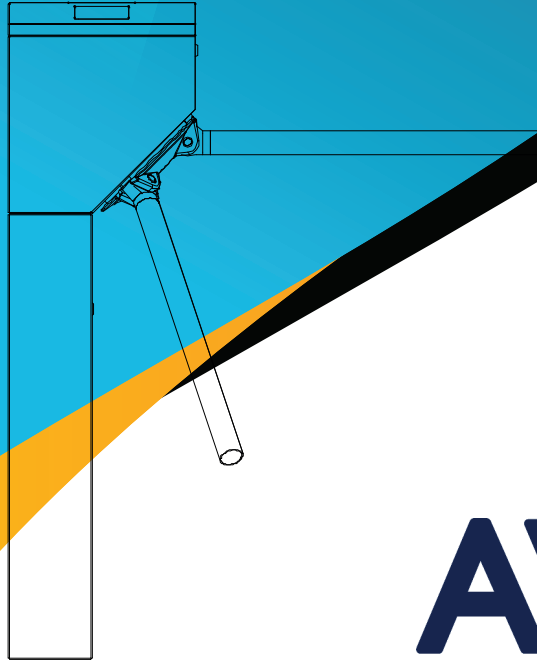
An atomic number between 10 and 18 is called a mixture and is shown in green.

Technical Drawing



Perkotek

"Hersey Kontrol Altında"



AVAX[®] com.tr

PM 5000 Drop Arm / Tripod
Turnstile

PERKOTEK TEKNOLOJİ A.S.

📍 Mahmutbey Mah. Ordu Cad. No:29 Perkotek Plaza/Bağcılar/İstanbul

🌐 www.perkotek.com ✉ sales@perkotek.com ☎ 0 850 811 8000

Avax PM 5000 Drop Arm /Tripod Turnstile

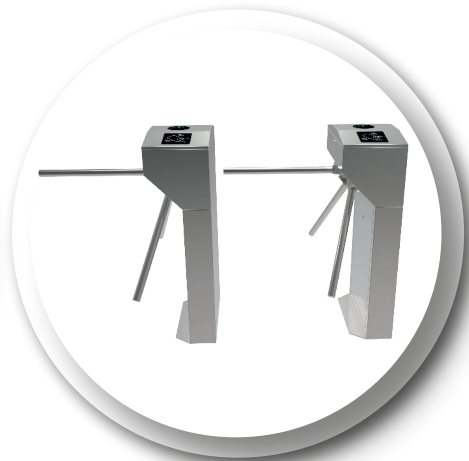


PM 5000 Automatic Dropping arm ,304 quality stainless steel turnstile has an effective design and provides efficient passing and high performance.

Automatic dropping arm turnstile can operate as integrated with electronic access control systems such as fingerprint reader, face recognition device or card reader, or can be used with remote control or button control.

It is one of the most preferred models for years and millions of trouble-free passing with minimum maintenance.

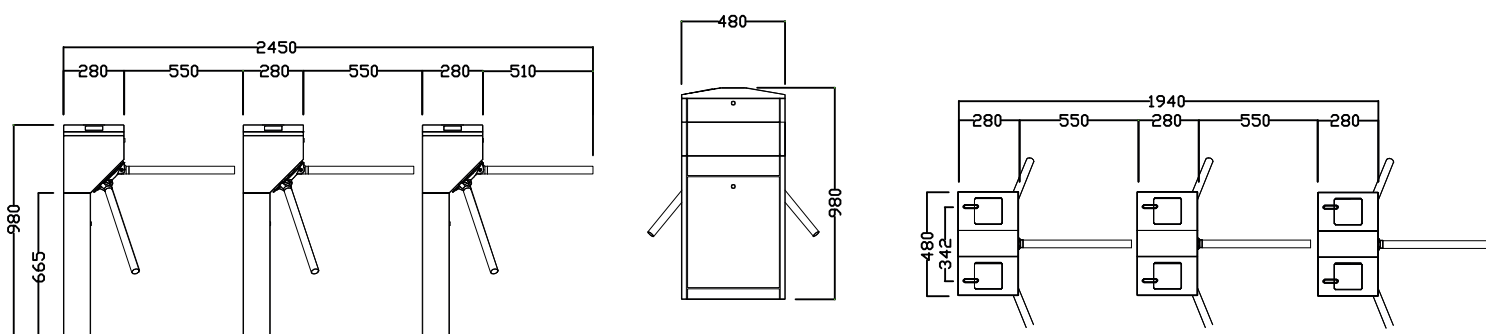
In case of power cuts, earthquake or similar emergency exit required situations , the arm automatically drops down to provide unobstructed and fast passing. Again, if desired, the arm can be dropped down to provide convenience for VIP guests, disabled persons or goods.



Technical Specifications

Body	AISI 304 quality stainless steel
Arms	AISI 304 quality stainless steel
Passing Distance	50-55cm
Tripod Locking	Allows passing only when the solenoid is pulled
Emergency Dropping Arm	Power failure, signal from the fire alarm system or in case of emergency ,it provides rapid evacuation by dropping down
Passing Direction	It can be adjusted as Entry only, Exit only, or passing from both directions as desired
Passing Time	Adjustable as required
Warning for pass	Provides visual and audible warnings
Passing Information	NC: Normally closed or NO: Normally open
Passing Speed	~ 35 people / minute
Passing Control	When one direction of rotation starts, passing to reverse direction is prevented and cannot be turned to reverse side after half rotation occurs.
Operating voltage	110/220 V
Power consumption	35 W
Frequency	50-60 Hz
Area of Use	Indoor and Outdoor
Operating temperature	-25 to +70 Degrees
Test Result	Tested 3 Million passes
Weight	Approx. 44 kg
Installed Dimensions	280 x 480 x 980 mm (without arms)
Access Control	Fingerprint, face recognition, vein recognition and card readers can work as combined by receiving the signal.
Certifications	ISO, CE and Warranty certificate

Technical Drawing

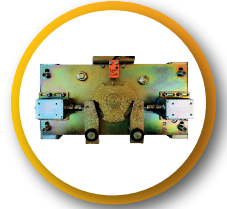


Benefits



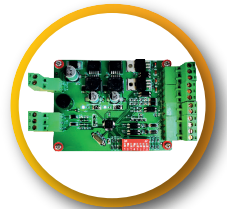
Inner and outer parts with arms are made of 304 quality stainless steel and are durable and have a long life.

Patented lubrication system minimizes the need for maintenance.



In case of power failure and in case of emergency, the arm will automatically drop down, allowing you to pass quickly and without obstacles.

It has high quality PCB and electronic components. Works without being affected by environmental electro-magnetic noise



Ergonomic plexi design facilitates face recognition, fingerprint reading and card reader installation.

It eliminates disorder by guiding with bright LED markers in the passing direction.



Shock Absorber technology ensures silent and smooth transition during turnstile turns.

Thanks to the horizontal surface at the mounting point on the ground, turnstile operates without swinging when passing is done

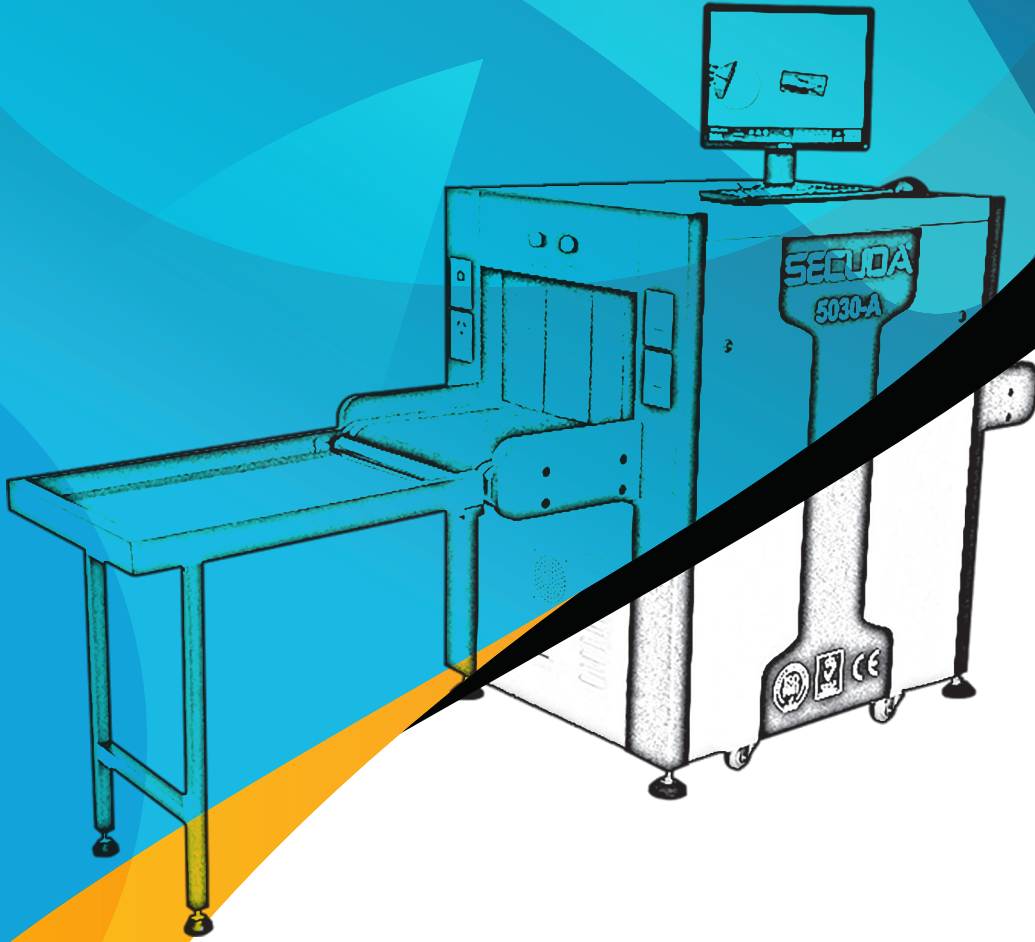


Usage Areas

- ✓ Factories
- ✓ Airports
- ✓ Public Institutions
- ✓ Plazas
- ✓ Smart Buildings
- ✓ Hospitals
- ✓ Logistic Areas
- ✓ Chain Stores
- ✓ Residance
- ✓ Dams
- ✓ Business Centers
- ✓ Academies
- ✓ Hotels
- ✓ Military Areas
- ✓ Shopp,ng Malls
- ✓ Dining Halls
- ✓ Gyms
- ✓ Activity Areas
- ✓ Fair Entries
- ✓ Public Transport Stations

Perkotek

"Everything is Under Control"



SECUDA®

5030C X-RAY DEVICE

PERKOTEK TEKNOLOJI A.S.

📍 Mahmutbey Mah. Ordu Cad. No:29 Perkotek Plaza/Bagcilar/Istanbul

🌐 www.perkotek.com ✉ sales@perkotek.com ☎ 0 850 811 8000

SECUDA 5030C X-RAY DEVICE



Thanks to its high resolution feature , produced as Dual Energy for precision searching ,and with a tunnel length of 500 mm x 300 mm, you can display the content images of bag, suitcase, package ,envelope and SECUDA 5030A X-Ray machine is suitable for checking all kinds of passing baggage . By means of transmitting X Rays into the baggage , it immediately reflects dangerous and threatening factors on the screen. It seperates Organic -inorganic metals and shows them in different colors.

It can show the inside of even 43mm thickness steel bag without any need to open it. XRAY Generator surroundings and cabin interior surfaces are insulated with lead plates against radiation leakage. The black curtains are made of lead mixture which are located in the direction of entry and exit of the luggage and protects the health of the Xray device using operator and passing people from negative factors .It has been manufactured according to the standards of Turkey Atomic Energy Agency and received the accreditation.

Technical Specifications

General Definitions

Tunnel Size	500 mm (Width) x 300 mm (Height)
Weight	400 kg
Conveyor Belt Speed	0.22m / sec
Conveyor Maximum Load	170 kg
Dose Per Examination	<2.9µGy / hour
Resolution	<0.0787 mm metal wire
Penetration	43 mm steel
Film Security	Guaranteed ISO1600 Film
X-ray Leakage	<0.05 µGy / hour (5 cm from the external housing)

X-Ray Generator

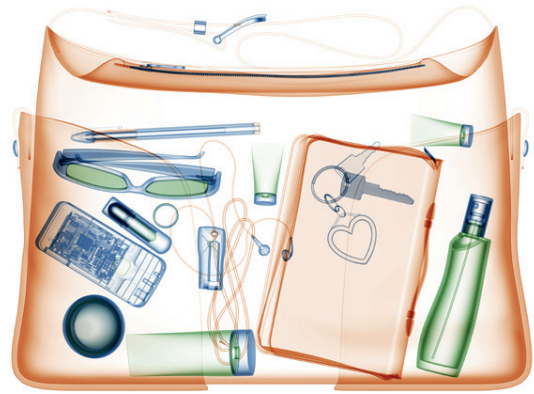
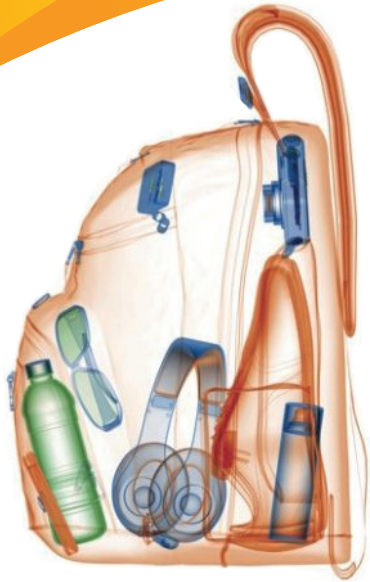
Energy	Multi Energy
Direct Production	Up
Angle Production	80 degrees
Anode Voltage	160 Kv
Anode Power	0.4-1.2 Up
Cooling / Duty time (Duty cycle)	Oil Cooling / 100%

Display System

X-ray Sensor	L-shaped photodiode array (mono energy), 12bit depth
Monitor	High definition color, LCD compatible, 19inch Philips brand
Image processing	Edge enhancement, image enhancement, image illumination, darkening reduction, image return ,image retrieval.
Image Gray Level	4096
Image Maximum Resolution	1024 x 1280 pixels.
Image processing	24bit real time processing.
Software	With its original software, it can display organic and inorganic materials in different colors.

Usage Areas

- Factories
- ✓ Airports
- ✓ Public institutions
- ✓ Stadiums
- ✓ Smart Buildings
- Prisons
- ✓ Logistics Areas
- ✓ Police Stations
- ✓ Residences
- ✓ Dams
- Business centers
- ✓ Academies
- ✓ Hotels
- ✓ Military Areas
- ✓ Shopping malls
- Dining Halls
- ✓ Gyms
- ✓ Activity Areas
- ✓ Fair Entries
- ✓ Public Transport Stations



ORGANIC

Atomic numbers from 1 to 10 are called organic compounds and are shown in orange. Examples of organic compounds; paper, textiles, wood and water.

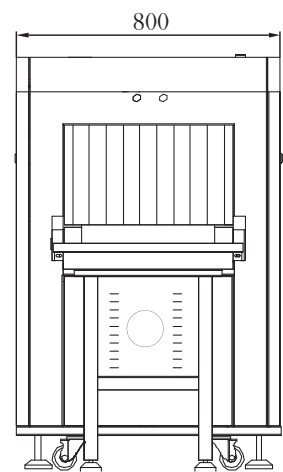
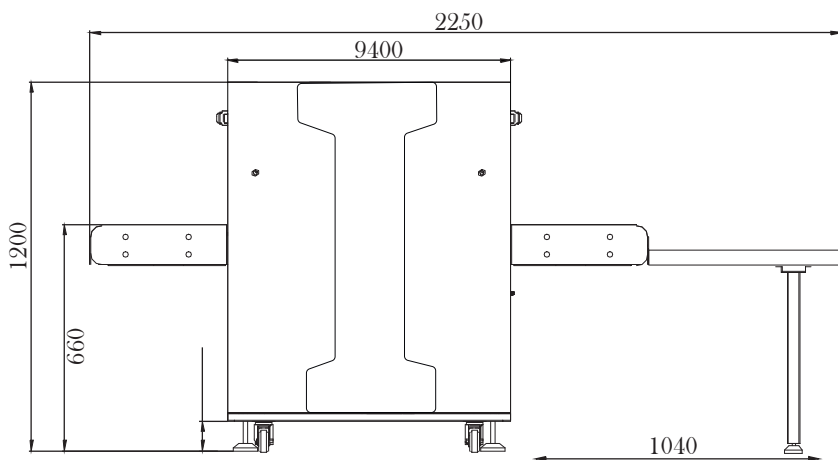
INORGANIC

Those with an atomic number greater than 18 are referred to as inorganic and indicated with blue. Examples of inorganic substances are titanium, chromium, iron, steel, tin, lead, copper, silver, gold.

MIXTURE

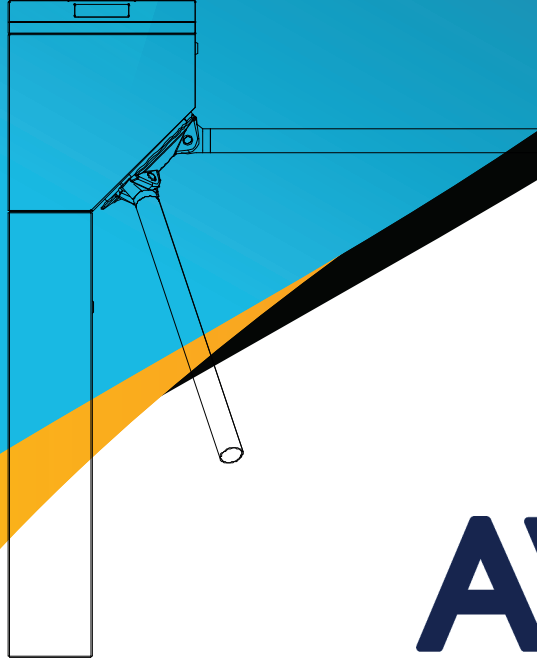
An atomic number between 10 and 18 is called a mixture and is shown in green.

Technical Drawing



Perkotek


"Hersey Kontrol Altında"



AVAX[®] com.tr

**PM 5000 Drop Arm / Tripod
Turnstile**

PERKOTEK TEKNOLOJİ A.S.

 Mahmutbey Mah. Ordu Cad. No:29 Perkotek Plaza/Bağcılar/İstanbul

 www.perkotek.com  sales@perkotek.com  0 850 811 8000

Avax PM 5000 Drop Arm /Tripod Turnstile

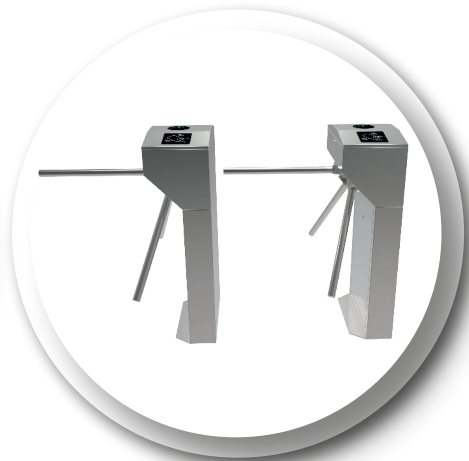


PM 5000 Automatic Dropping arm ,304 quality stainless steel turnstile has an effective design and provides efficient passing and high performance.

Automatic dropping arm turnstile can operate as integrated with electronic access control systems such as fingerprint reader, face recognition device or card reader, or can be used with remote control or button control.

It is one of the most preferred models for years and millions of trouble-free passing with minimum maintenance.

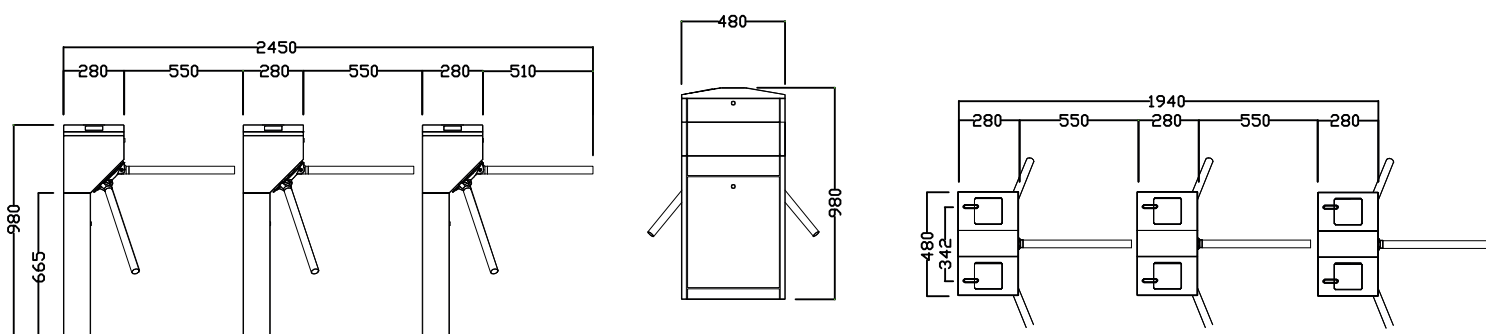
In case of power cuts, earthquake or similar emergency exit required situations , the arm automatically drops down to provide unobstructed and fast passing. Again, if desired, the arm can be dropped down to provide convenience for VIP guests, disabled persons or goods.



Technical Specifications

Body	AISI 304 quality stainless steel
Arms	AISI 304 quality stainless steel
Passing Distance	50-55cm
Tripod Locking	Allows passing only when the solenoid is pulled
Emergency Dropping Arm	Power failure, signal from the fire alarm system or in case of emergency ,it provides rapid evacuation by dropping down
Passing Direction	It can be adjusted as Entry only, Exit only, or passing from both directions as desired
Passing Time	Adjustable as required
Warning for pass	Provides visual and audible warnings
Passing Information	NC: Normally closed or NO: Normally open
Passing Speed	~ 35 people / minute
Passing Control	When one direction of rotation starts, passing to reverse direction is prevented and cannot be turned to reverse side after half rotation occurs.
Operating voltage	110/220 V
Power consumption	35 W
Frequency	50-60 Hz
Area of Use	Indoor and Outdoor
Operating temperature	-25 to +70 Degrees
Test Result	Tested 3 Million passes
Weight	Approx. 44 kg
Installed Dimensions	280 x 480 x 980 mm (without arms)
Access Control	Fingerprint, face recognition, vein recognition and card readers can work as combined by receiving the signal.
Certifications	ISO, CE and Warranty certificate

Technical Drawing

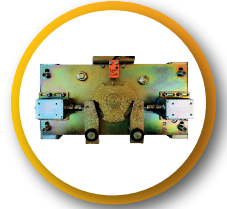


Benefits



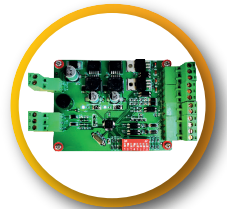
Inner and outer parts with arms are made of 304 quality stainless steel and are durable and have a long life.

Patented lubrication system minimizes the need for maintenance.



In case of power failure and in case of emergency, the arm will automatically drop down, allowing you to pass quickly and without obstacles.

It has high quality PCB and electronic components. Works without being affected by environmental electro-magnetic noise



Ergonomic plexi design facilitates face recognition, fingerprint reading and card reader installation.

It eliminates disorder by guiding with bright LED markers in the passing direction.



Shock Absorber technology ensures silent and smooth transition during turnstile turns.

Thanks to the horizontal surface at the mounting point on the ground, turnstile operates without swinging when passing is done

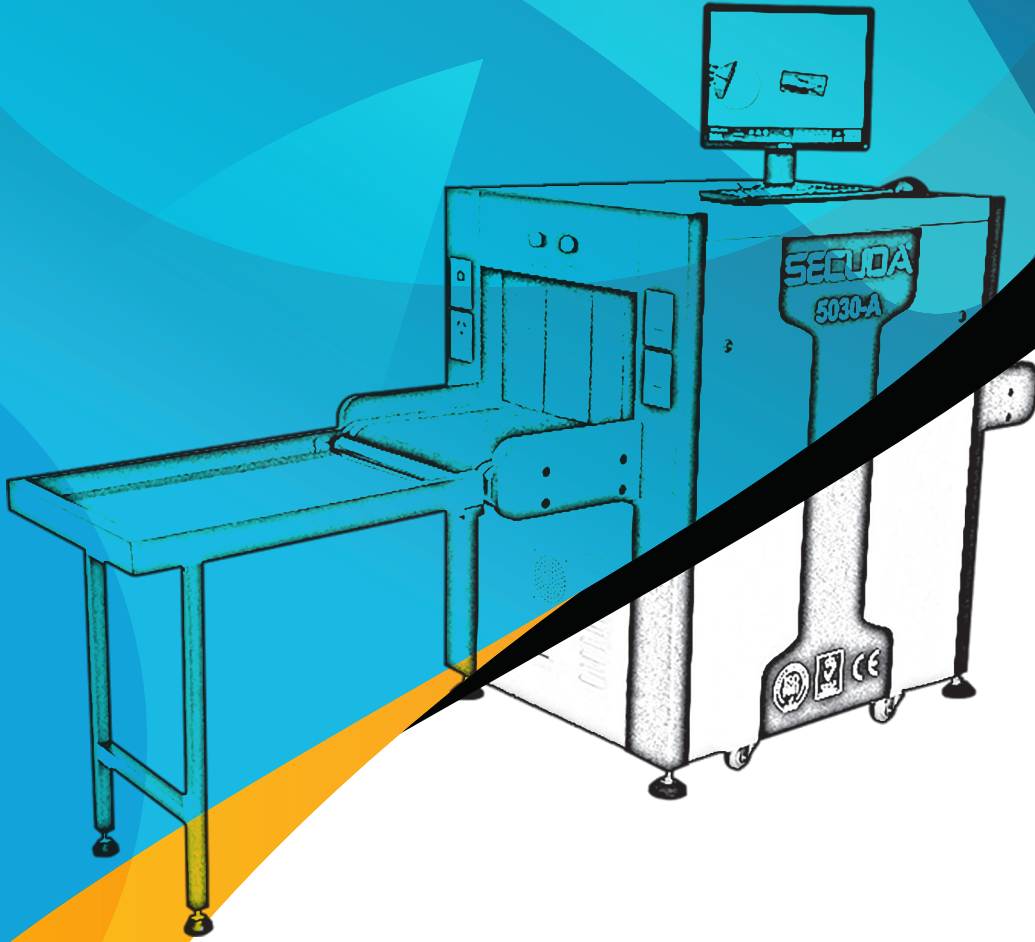


Usage Areas

- | | | | | |
|--------------------|------------------|-----------------------|------------------|-----------------------------|
| ✓ Factories | ✓ Airports | ✓ Public Institutions | ✓ Plazas | ✓ Smart Buildings |
| ✓ Hospitals | ✓ Logistic Areas | ✓ Chain Stores | ✓ Residance | ✓ Dams |
| ✓ Business Centers | ✓ Academies | ✓ Hotels | ✓ Military Areas | ✓ Shopp,ng Malls |
| ✓ Dining Halls | ✓ Gyms | ✓ Activity Areas | ✓ Fair Entries | ✓ Public Transport Stations |

Perkotec

"Everything is Under Control"



SECUDA®

5030A X-RAY DEVICE

PERKOTEK TEKNOLOJI A.S.

📍 Mahmutbey Mah. Ordu Cad. No:29 Perkotek Plaza/Bagcilar/Istanbul

🌐 www.perkotec.com ✉ sales@perkotec.com ☎ 0 850 811 8000

SECUDA 5030A X-RAY DEVICE



Thanks to its high resolution feature , produced for precision searching ,and with a tunnel length of 500 mm x 300 mm, you can display the content images of bag, suitcase, package ,envelope and SECUDA 5030A X-Ray machine is suitable for checking all kinds of passing baggage . By means of transmitting X Rays into the baggage , it immediately reflects dangerous and threatening factors on the screen. It separates Organic -inorganic metals and shows them in different colors.

It can show the inside of even 14 mm thickness steel bag without any need to open it. XRAY Generator surroundings and cabin interior surfaces are insulated with lead plates against radiation leakage. The black curtains are made of lead mixture which are located in the direction of entry and exit of the luggage and protects the health of the Xray device using operator and passing people from negative factors .It has been manufactured according to the standards of Turkey Atomic Energy Agency and received the accreditation.

Technical Specifications

General Definitions

Tunnel Size	500 mm (Width) x 300 mm (Height)
Weight	400 kg
Conveyor Belt Speed	0.22m / sec
Conveyor Maximum Load	170 kg
Dose Per Examination	<2.9µGy / hour
Resolution	<0.1 mm metal wire
Penetration	14 mm steel
Film Security	Guaranteed ISO1600 Film
X-ray Leakage	<0.05 µGy / hour (5 cm from the external housing)

X-Ray Generator

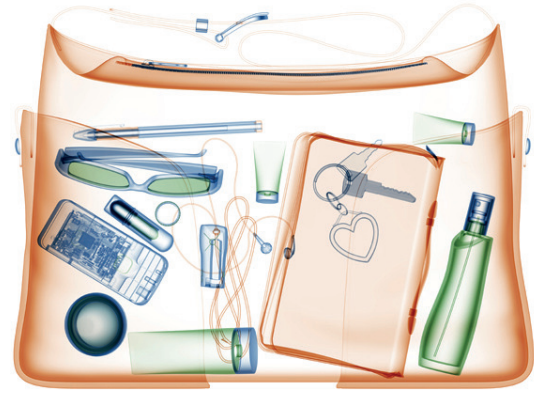
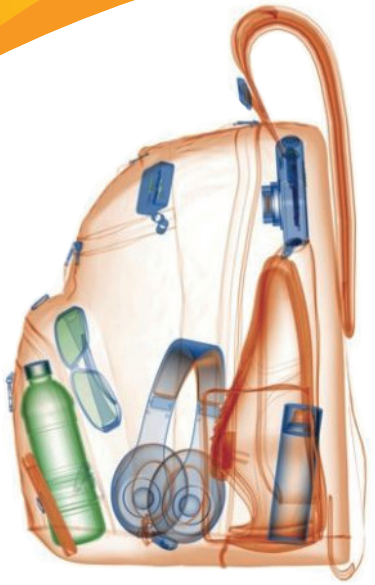
Energy	Single Energy
Direct Production	Up
Angle Production	80 degrees
Anode Voltage	80 Kv
Anode Power	0.4 Up
Cooling / Duty time (Duty cycle)	Oil Cooling / 100%

Display System

X-ray Sensor	L-shaped photodiode array (mono energy), 12bit depth
Monitor	High definition color, LCD compatible, 19inch Philips brand
Image processing	Edge enhancement, image enhancement, image illumination, darkening reduction, image return , image retrieval.
Image Gray Level	4096
Image Maximum Resolution	1024 x 1280 pixels.
Image processing	24bit real time processing.
Software	It can display organic and inorganic materials in different colors with its colored software.

Usage Areas

- ✓ Factories
- ✓ Airports
- ✓ Public institutions
- ✓ Stadiums
- ✓ Smart Buildings
- ✓ Prisons
- ✓ Logistics Areas
- ✓ Police Stations
- ✓ Residences
- ✓ Dams
- ✓ Business centers
- ✓ Academies
- ✓ Hotels
- ✓ Military Areas
- ✓ Shopping malls
- ✓ Dining Halls
- ✓ Gyms
- ✓ Activity Areas
- ✓ Fair Entries
- ✓ Public Transport Stations



ORGANIC

Atomic numbers from 1 to 10 are called organic compounds and are shown in orange. Examples of organic compounds; paper, textiles, wood and water.

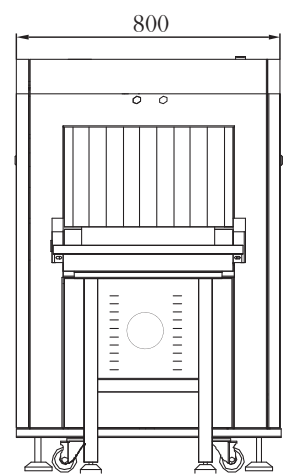
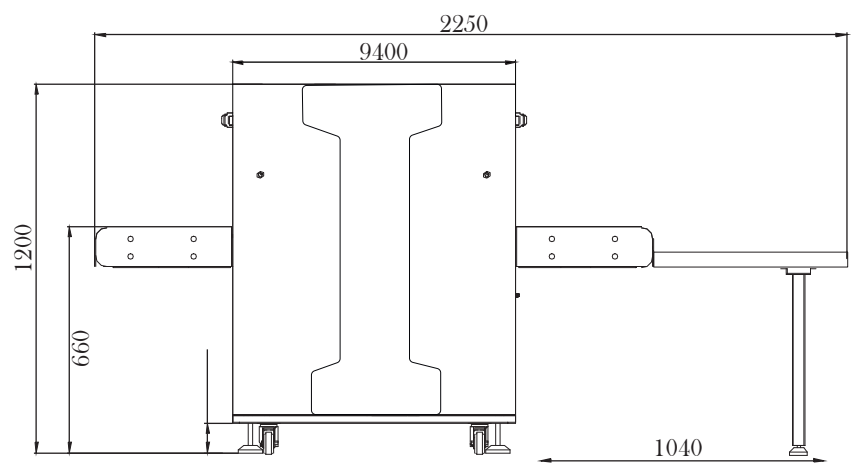
INORGANIC

:Those with an atomic number greater than 18 are referred to as inorganic and indicated with blue. Examples of inorganic substances are titanium, chromium, iron, steel, tin, lead, copper, silver, gold.

MIXTURE

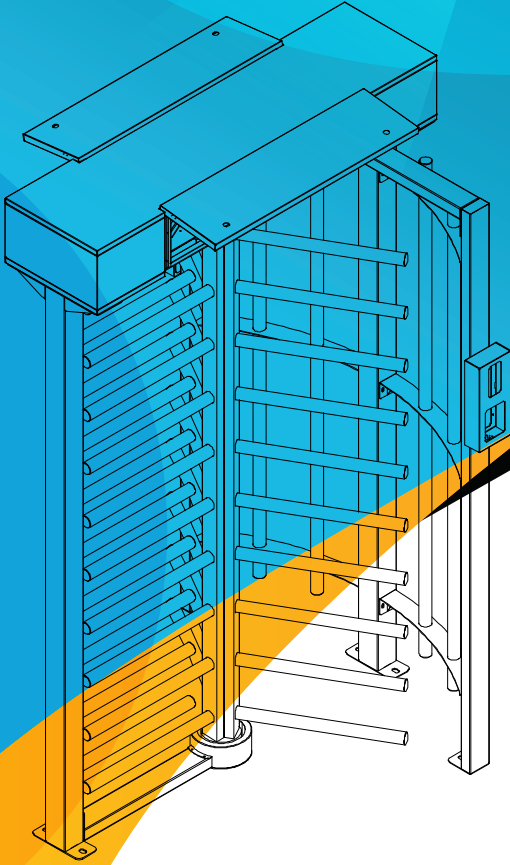
An atomic number between 10 and 18 is called a mixture and is shown in green.

Technical Drawing



Perkotech


"Everything is under control"




AVAX[®]com.tr

**P55 Stainless Steel Full
Height Turnstile**

PERKOTEK TEKNOLOJI A.S.

 Mahmutbey Mah. Ordu Cad. No:29 Perkotech Plaza/Bagcilar/Istanbul

 www.perkotech.com  sales@perkotech.com  0 850 811 8000

Avax P55 Stainless Steel Full Height Turnstile



P55 Stainless Steel Full Height Turnstile is ideal for places requiring high passing safety. It is resistant to brute force or acts of violence. There is no possibility of jumping or leaking / forbidden passing as it is done with tripod turnstiles.

Thanks to the locked mode feature ,no matter it has been forced, the full height turnstile, which can also be called cage turnstile can never be opened . It can run integrated with electronic access control system devices such as fingerprint reader, vein recognition device, iris recognition device, face recognition and card access terminals. This turnstile is a great method for silent and smooth passings. It also has an original and decorative appearance.

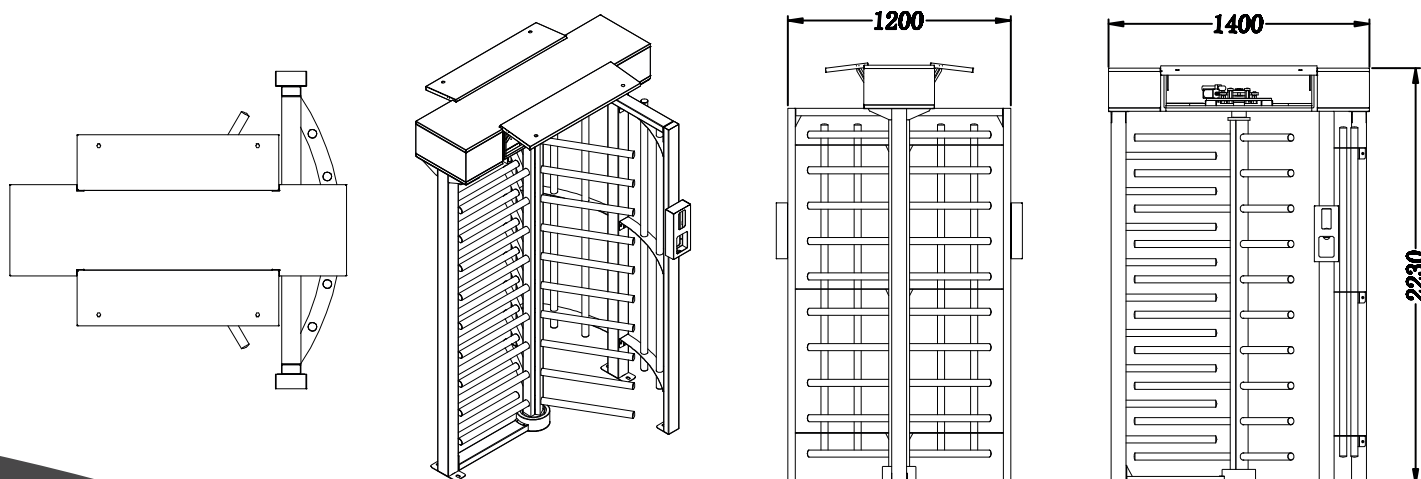
The turnstile has three lights position indicator. When the turnstile is ready for passing, the green arrow flashes continuously. When passing permit is given ,the green arrow lights up continuously .When passing is done, The red "X" sign lights to show passing from opposite side is prohibited.



Technical Specifications

Casing / Body	304 Stainless Steel
Arms	304 Stainless Steel
Passing Distance	56 cm
Tripod Lockout	Allows passage only when the solenoid is pulled
Emergency	Power failure, signal from the fire alarm system or in case of emergency return to idle for quick evacuation
Direction of Passing	It can be adjusted as Entry only, Exit only, or passing from both directions as you desire
Passing Time	Adjustable as required
Passing Warning	Provides visual and audible warnings
Passing Information	NC: Normally closed or NO: Normally open
Passing Speed	~ 35 people / minute
Passing Control	When one direction of rotation starts, the reverse direction is prevented and cannot be reversed after half rotation occurs.
Operating voltage	100/240 V
Power consumption	60 W
Frequency	50-60 Hz
Area of Use	Indoor and Outdoor
Operating temperature	-30 to +80 Degrees
Test Result	Tested 3 Million passes
Weight	Approx. 160 kg
Installed Dimensions	1400 x 1200 x 2230 mm
Access Control	By receiving the signal, it can run together as combined with fingerprint, face recognition, vein recognition and card readers
Certifications	ISO, CE and Warranty certificates

Technical Drawings

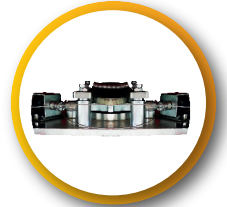


Advantages



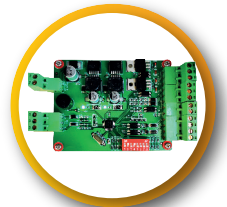
Since there are 10 rows of arms extending from the top to the ground, there is no possibility of jump or leakage/ forbidden passing

Patented lubrication system minimizes the need for maintenance.



Arms with inner and outer parts are made of 304 quality stainless steel and are durable and long lasting.

It has high quality PCB and electronic components. Runs without being affected by environmental electro-magnetic noise



Ergonomic plexi design facilitates face recognition, fingerprint reading and card reader installation.

It eliminates confusion by guiding with bright LED signs in the direction of passage.



Shock Absorber technology ensures silent and smooth passing during turnstile rotates.

Since it can be mounted at four points on the ground, turnstile runs without shaking during the passes.

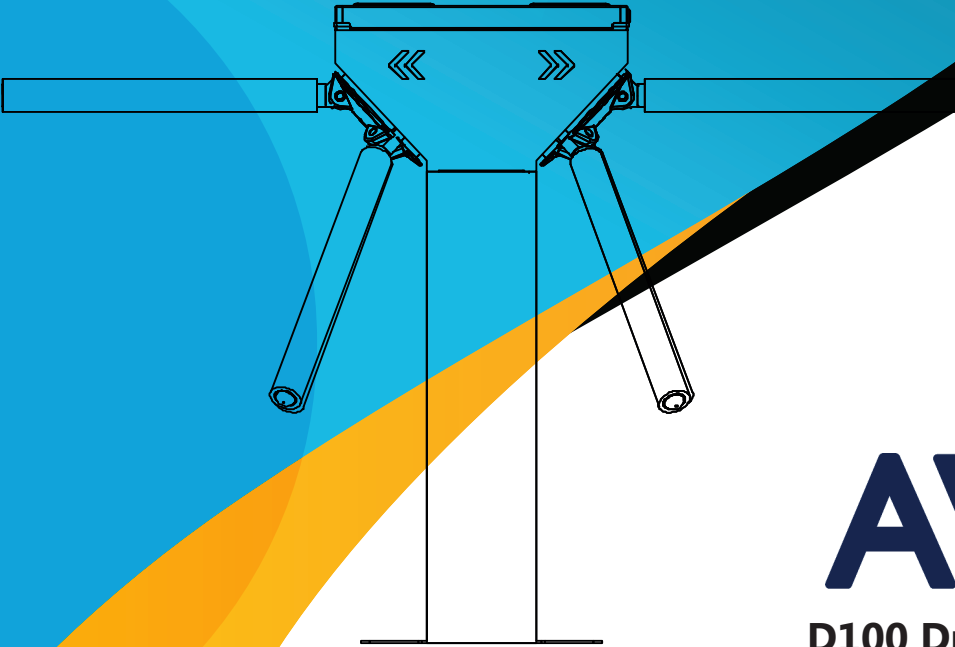


Usage Areas

- ✓ Factories
- ✓ Airports
- ✓ Public institutions
- ✓ Stadium
- ✓ Smart Buildings
- ✓ Prisons
- ✓ Logistics Areas
- ✓ Police Departments
- ✓ Plazas
- ✓ Dams
- ✓ Business centers
- ✓ Academies
- ✓ Hotels
- ✓ Military Areas
- ✓ Shopping Malls
- ✓ Dining Halls
- ✓ Gyms
- ✓ Activity Areas
- ✓ Fair Entries
- ✓ Public Transport Station

Perkotech


"Everything is under control"



AVAX[®]com.tr

**D100 Drop Arm / Double
Tripod Turnstile**

PERKOTEK TEKNOLOJI A.S.

 Mahmutbey Mah. Ordu Cad. No:29 Perkotek Plaza/Bagcilar/Istanbul

 www.perkotech.com  sales@perkotech.com  0 850 811 8000

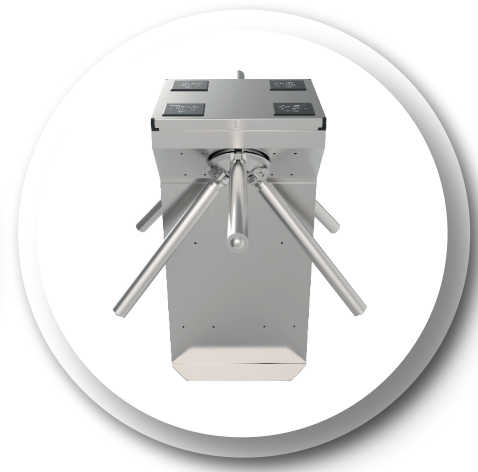
Avax D100 Drop Arm / Double Tripod Turnstile



Avax D100 Drop Arm Turnstile allows both entries and exits at the same time. Thanks to the Emergency Dropping Arm feature in both directions, it provides fast and safe evacuation by going down in case of a power failure, signal from the fire alarm system or emergency situations. With the Emergency Button connection you can release all passes. Button connection can be made for guest or VIP passes. By connecting the counter on the turnstile, the total number of passes per day can be obtained.

Devices such as fingerprint, face recognition, card reader can be connected to the entrance and exit sides and can run in harmony with the cafeteria, access control, pdks programmes.

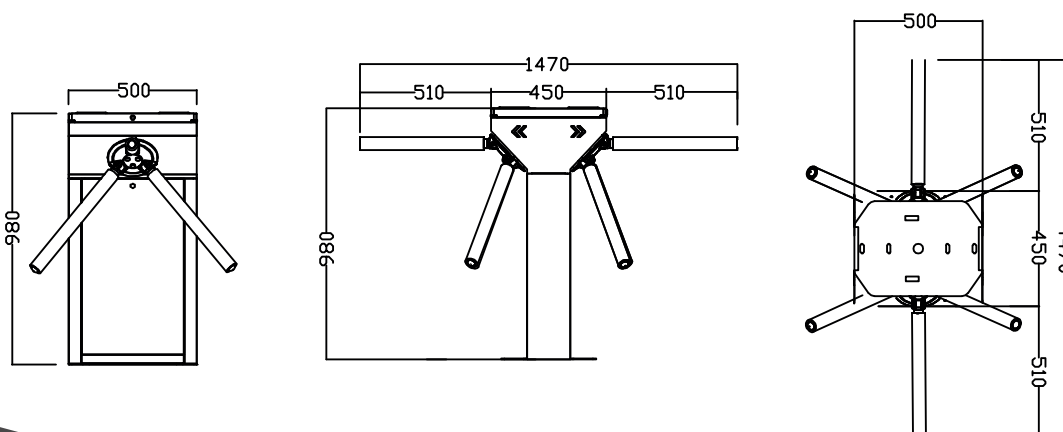
The card reading device is built in the internal reading sections on the turnstile for an ergonomic and stylish appearance. It runs fully compatible with all Face recognition, Fingerprint recognition, Card recognition and Password devices with short circuit (Dry contact) feature .



Technical Specifications

Body	AISI 304 quality stainless steel
Arms	AISI 304 quality stainless steel
Passing Distance	50-55cm
Tripod Lockout	Allows passing only when the solenoid is pulled
Emergency Dropping Arm	In case of power failure, signal from the fire alarm system or emergency, provides rapid evacuation by going down
Direction of Passing	It can be adjusted as Entry only, Exit only, or passing from both directions as desired
Passing Time	Adjustable as required
Warning for pass	Provides visual and audible warnings
Passing Information	NC: Normally closed or NO: Normally open
Passing Speed	~ 70 people / minute
Passing Control	When one direction of rotation starts, the reverse direction is prevented and cannot be reversed after half rotation occurs.
Operating voltage	100/240 V
Power consumption	35 W
Frequency	50-60 Hz
Area of Use	Indoor and Outdoor
Operating temperature	-25 to +70 Degrees
Test Result	Tested 3 Million passes
Weight	Approx. 52 kg
Installed Dimensions	500x 450 x 980 mm (without arms)
Access Control	It can run together combined with Fingerprint, face recognition, vein recognition and card readers by receiving the signal.
Certifications	ISO, CE and Warranty certificate

Technical Drawing

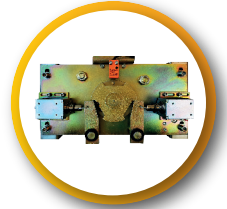


Benefits



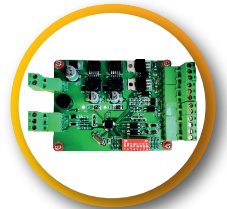
Arms with inner and outer parts are made of 304 quality stainless steel and are durable and long lasting.

Patented lubrication system minimizes the need for maintenance.



In case of power failure and emergency, the arm will automatically fall down, allowing you to pass quickly and without obstacles.

It has high quality PCB and electronic components. Runs without being affected by environmental electro-magnetic noise



Ergonomic plexy design facilitates face recognition, fingerprint reading and card reader installation.

It eliminates confusion by guiding with bright LED signs in the direction of passing



Ideal for indoor and outdoor use.

Since it can be mounted at two points on the ground, turnstile runs without shaking during the passes.

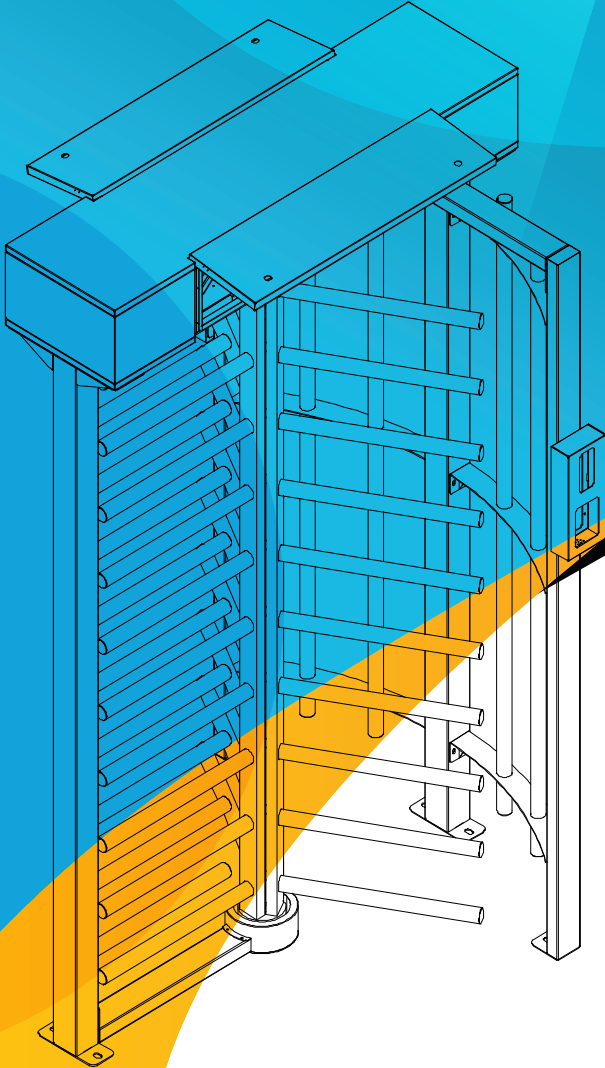


Usage areas

- ✓ Factories
- ✓ Airports
- ✓ Public institutions
- ✓ Plazas
- ✓ Smart Buildings
- ✓ Hospitals
- ✓ Logistics Areas
- ✓ Chain Stores
- ✓ Residences
- ✓ Dams
- ✓ Business centers
- ✓ Academies
- ✓ Hotels
- ✓ Military Areas
- ✓ Shopping malls
- ✓ Dining Halls
- ✓ Gyms
- ✓ Activity Areas
- ✓ Fair Entries
- ✓ Public Transport Stations

Perkotech


"Everything is under control"



AVAX[®]com.tr

**B50 Powder Coated/Painted
Full Height Turnstile**

PERKOTEK TEKNOLOJI A.S.

 Mahmutbey Mah. Ordu Cad. No:29 Perkotech Plaza/Bagcilar/Istanbul

 www.perkotech.com  sales@perkotech.com  0 850 811 8000

B50 Powder Coated/Painted Full Height Turnstile



B50 Electrostatic Painted Turnstile is ideal for places requiring high passing safety. It is resistant to brute force or acts of violence. There is no possibility of jumping or leaking / forbidden passing as it is done with tripod turnstiles.

Thanks to the locked mode feature, no matter it has been forced, the full height turnstile, which can also be called cage turnstile can never be opened. It can run integrated with electronic access control system devices such as fingerprint reader, vein recognition device, iris recognition device, face recognition and card access terminals. This turnstile is a great method for silent and smooth passings. It also has an original and decorative appearance.

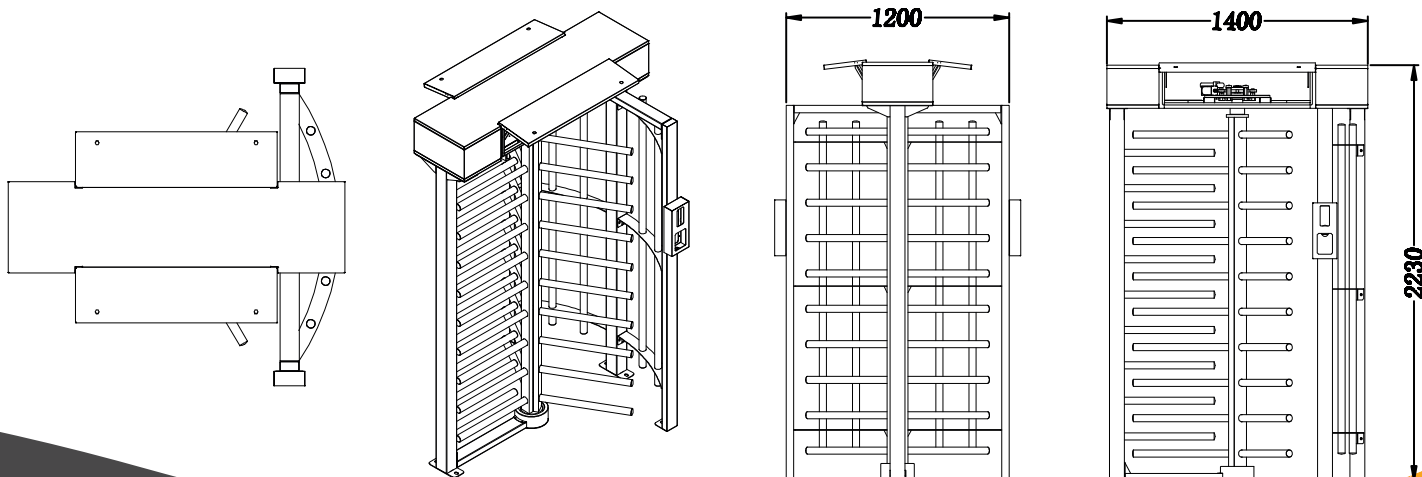
The turnstile has three lights position indicator. When the turnstile is ready for passing, the green arrow flashes continuously. When passing permit is given the green arrow lights up continuously. When passing is done, The red "X" sign lights to show passing from opposite side is prohibited.



Technical Specifications

Body	Electrostatic painted body on iron
Arms	SPCC Cold rolled steel
Passing Distance	56 cm
Tripod Lockout	Allows passing only when the solenoid is pulled
Emergency	Power failure, signal from the fire alarm system or in case of emergency return to idle for quick evacuation
Direction of Passing	It can be adjusted as Entry only, Exit only, or passing from both directions as you desire
Passing Time	Adjustable as required
Passing Warning	Provides visual and audible warnings
Passing Information	NC: Normally closed or NO: Normally open
Passing Speed	~ 35 people / minute
Passing Control	When one direction of rotation starts, the reverse direction is prevented and cannot be reversed after half rotation occurs.
Operating voltage	100/240 V
Power consumption	60 W
Frequency	50-60 Hz
Area of Use	Indoor and Outdoor (Must be sunshade on it during outdoor use)
Operating temperature	-30 to +80 Degrees
Test Result	Tested 3 Million passes
Weight	Approx. 160 kg
Installed Dimensions	1400 x 1200 x 2230 mm
Access Control	By receiving the signal, it can run together as combined with fingerprint, face recognition, vein recognition and card readers
Certifications	ISO, CE and Warranty certificates

Technical Drawing

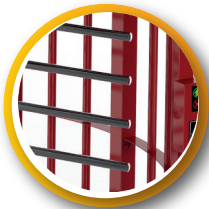
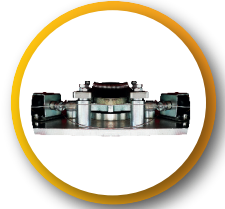


Advantages



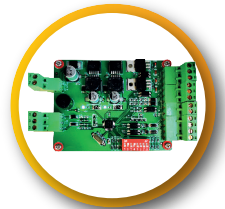
Since there are 10 rows of arms extending from the top to the ground, there is no possibility of jump or leakage/ forbidden passing

Patented lubrication system minimizes the need for maintenance.



Serves for a long time use with electrostatic powder coating. Minimally affected by environmental factors.

It has high quality PCB and electronic components. Runs without being affected by environmental electro-magnetic noise



Ergonomic plexi design facilitates face recognition, fingerprint reading and card reader installation.

It eliminates confusion by guiding with bright LED signs in the direction of passing.



Shock Absorber technology ensures silent and smooth passing during turnstile rotates.

Since it can be mounted at four points on the ground, turnstile runs without shaking during the passes.

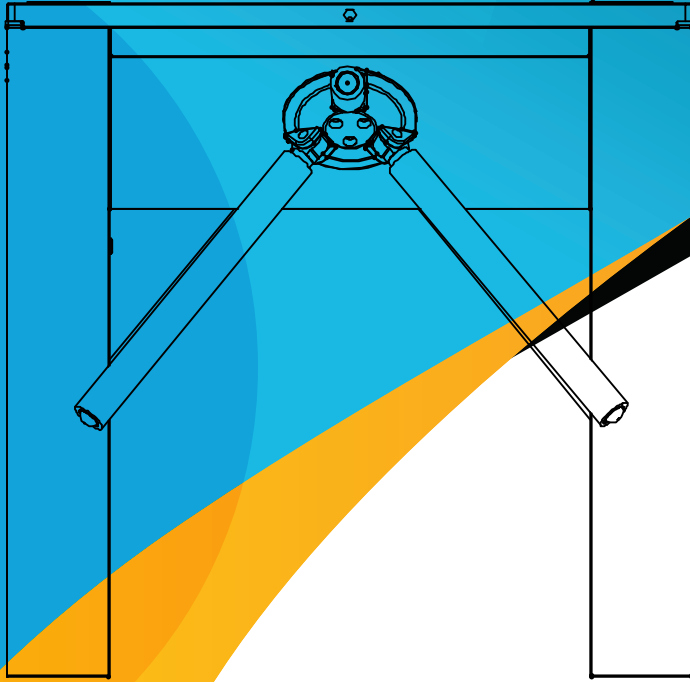


Usage Areas

- ✓ Factories
- ✓ Airports
- ✓ Public institutions
- ✓ Stadium
- ✓ Smart Buildings
- ✓ Prisons
- ✓ Logistics Areas
- ✓ Police Departments
- ✓ Plazas
- ✓ Dams
- ✓ Business centers
- ✓ Academies
- ✓ Hotels
- ✓ Military Areas
- ✓ Shopping Malls
- ✓ Dining Halls
- ✓ Gyms
- ✓ Activity Areas
- ✓ Fair Entries
- ✓ Public Transport Station

Perkotek


"Everything is under control"



AVAX[®] com.tr

**D200 Drop Arm / Double
Tripod Turnstile**

PERKOTEK TEKNOLOJI A.S.

 Mahmutbey Mah. Ordu Cad. No:29 Perkotek Plaza/Bagcilar/Istanbul

 www.perkotek.com  sales@perkotek.com  0 850 811 8000

Avax D200 Drop Arm / Double Tripod Turnstile



Avax D200 Drop Arm Turnstile allows both entry and exit at the same time. Thanks to the Emergency Dropping Arm feature available in both directions, it provides fast and safe evacuation by going down in the event of a power failure, signal from the fire alarm system or emergency situations. With the Emergency Button connection you can release all passes. Button connection can be made for guest or VIP passes. By connecting the counter on the turnstile, the total number of passes per day can be obtained.

Devices such as fingerprint, face recognition, card reader can be connected to the entrance and exit sides and can run in harmony with the cafeteria, access control, pdks programmes

The card reading device is built in to the internal reading sections on the turnstile for having an ergonomic and stylish appearance.

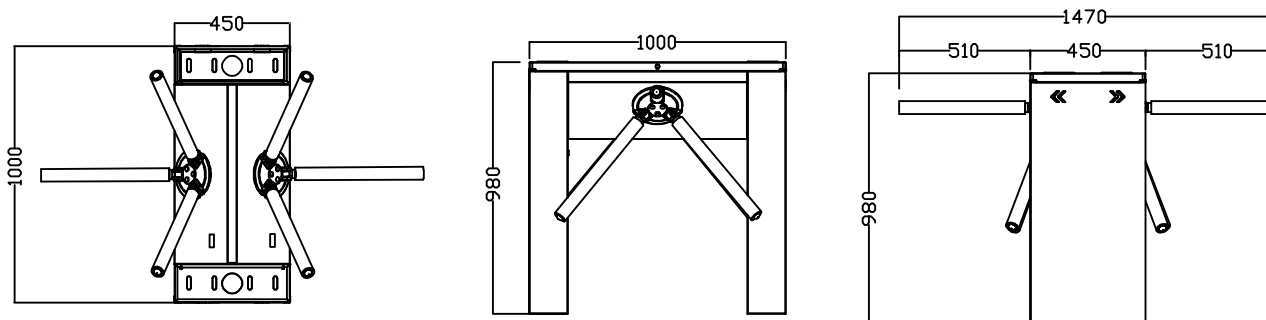
It runs fully compatible with all Face recognition, Fingerprint recognition, Card recognition and Password devices with short circuit (Dry contact) feature .



Technical Specifications

Casing / Body	AISI 304 quality stainless steel
Arms	AISI 304 quality stainless steel
Passing Distance	50-55cm
Tripod Lockout	Allows passage only when the solenoid is pulled
Emergency Dropping Arm	It provides rapid evacuation by going down in case of power failure, signal from the fire alarm system or emergency
Direction of passing	It can be adjusted as Entry only, Exit only, or passing from both directions as desired
Passing Time	Adjustable as required
Warning for pass	Provides visual and audible warnings
Passing Information	NC: Normally closed or NO: Normally open
Passing Speed	~ 70 people / minute
Passing Control	When one direction of rotation starts, the reverse direction is prevented and cannot be reversed after half rotation occurs.
Operating voltage	100/240 V
Power consumption	35 W
Frequency	50-60 Hz
Area of Use	Indoor and Outdoor
Operating temperature	-25 to +70 Degrees
Test Result	Tested 3 Million passes
Weight	Approx. 52 kg
Installed Dimensions	980x450 x 1000 mm (without arms)
Access Control	It can run together as combined with Fingerprint, face recognition, vein recognition and card readers by receiving the signal.
Certifications	ISO, CE and Warranty certificate

Technical Drawing

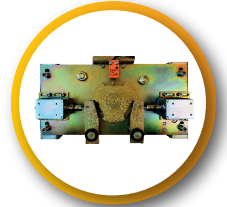


Benefits



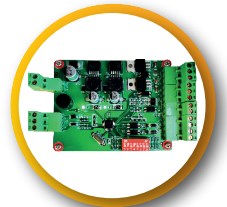
Arms with inner and outer parts are made of 304 quality stainless steel and are durable and long lasting.

Patented lubrication system minimizes the need for maintenance.



In case of power failure and emergency, the arm will automatically drop down, allowing you to switch quickly and without obstacles.

It has high quality PCB and electronic components. Runs without being affected by environmental electro-magnetic noise



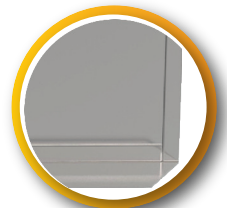
Ergonomic plexy design facilitates face recognition, fingerprint reader and card reader installation.

It eliminates confusion by guiding with bright LED signs in the direction of passing



Ideal design for indoor and outdoor use.

Since it can be mounted at two points on the ground, turnstile runs without shaking during the passes.

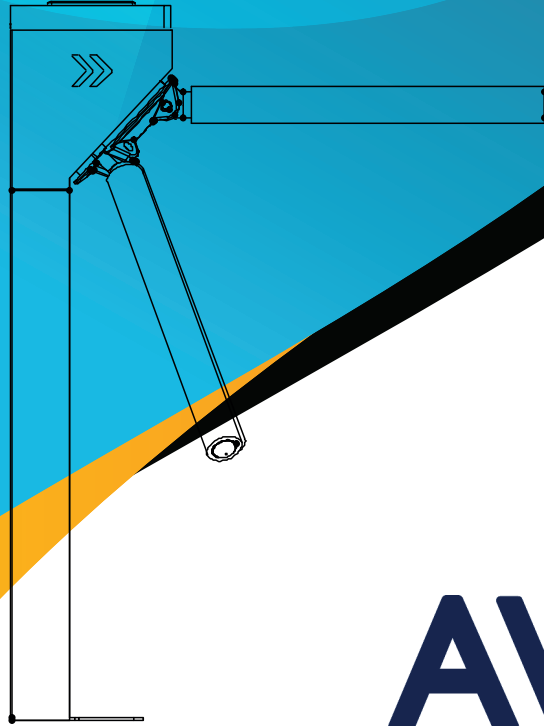


Usage areas

- ✓ Factories
- ✓ Airports
- ✓ Public institutions
- ✓ Plazas
- ✓ Smart Buildings
- ✓ Hospitals
- ✓ Logistics Areas
- ✓ Chain Stores
- ✓ Residences
- ✓ Dams
- ✓ Business centers
- ✓ Academies
- ✓ Hotels
- ✓ Military Areas
- ✓ Shopping malls
- ✓ Dining Halls
- ✓ Gyms
- ✓ Activity Areas
- ✓ Fair Entries
- ✓ Public Transport Stations

Perkotech

"Everything is under control"



AVAX[®]com.tr
S100 DROP ARM / TRIPOD
TURNSTILE

PERKOTEK TEKNOLOJI A.S.

📍 Mahmutbey Mah. Ordu Cad. No:29 Perkotech Plaza/Bagcilar/Istanbul

🌐 www.perkotech.com ✉ sales@perkotech.com ☎ 0 850 811 8000

Avax S100 DROP ARM / TRIPOD TURNSTILE



Thanks to its single leg mounting feature, Avax S100 Drop Arm Turnstile provides space saving . Devices such as fingerprint, face recognition, card reader can be connected to the entrance and exit sides and can run in harmony with the cafeteria, access control, pdks programmes

The card reading device is built in the internal reading sections on the turnstile for having an ergonomic and stylish appearance. It runs fully compatible with all Face recognition, Fingerprint recognition, Card recognition and Password devices with short circuit (Dry contact) feature .

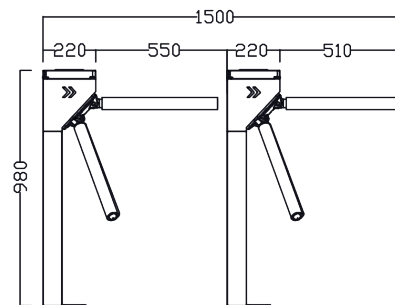
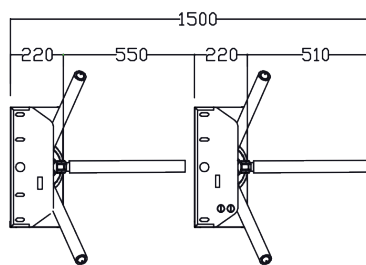
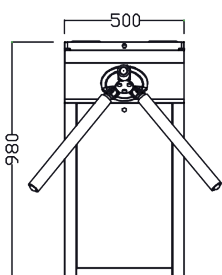
With the Emergency Dropping Arm feature, in case of energy cut-off, signal coming from the fire alarm system or emergency situations it provides fast and safe evacuation by dropping down. With the Emergency Button connection you can release all passes. Button connection can be made for guest or VIP passes. By connecting the counter on the turnstile, the total number of passes per day can be obtained.



Technical Specifications

Casing / Body	AISI 304 quality stainless steel
Arms	AISI 304 quality stainless steel
Passing Distance	50-55cm
Tripod Lockout	Allows passage only when the solenoid is pulled
Emergency Dropping Arm	In case of power failure, signal from the fire alarm system or emergency, provides rapid evacuation by dropping down
Direction of Passing	It can be adjusted as Entry only, Exit only, or passing from both directions as desired
Passing Time	Adjustable as required
Warning for pass	Provides visual and audible warnings
Passing Information	NC: Normally closed or NO: Normally open
Passing Speed	~ 35 people / minute
Passing Control	When one direction of rotation starts, the reverse direction is prevented and cannot be reversed after half rotation occurs.
Operating voltage	100/240 V
Power consumption	35 W
Frequency	50-60 Hz
Area of Use	Indoor and Outdoor
Operating temperature	-25 to +70 Degrees
Test Result	Tested 3 Million passes
Weight	Approx. 52 kg
Installed Dimensions	500x 220 x 980 mm (without arms)
Access Control	It can run together as combined with Fingerprint, face recognition, vein recognition and card readers by receiving the signal.
Certifications	ISO, CE and Warranty certificate

Technical Drawing

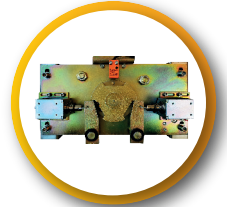


Advantages



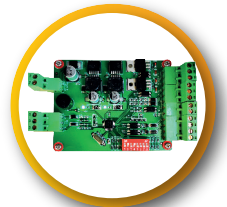
Arms with inner and outer parts are made of 304 quality stainless steel and are durable and long lasting.

Patented lubrication system minimizes the need for maintenance.



In case of power failure and emergency, the arm will automatically drop down, allowing you to pass quickly and without obstacles.

It has high quality PCB and electronic components. Runs without being affected by environmental electro-magnetic noise



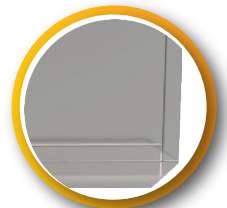
Ergonomic plexy design facilitates face recognition, fingerprint reading and card reader installation.

It eliminates confusion by guiding with bright LED signs in the direction of passing



Ideal for indoor and outdoor use.

Thanks to the horizontal surface at the mounting point on the ground, Turnstile works without swinging during passes.

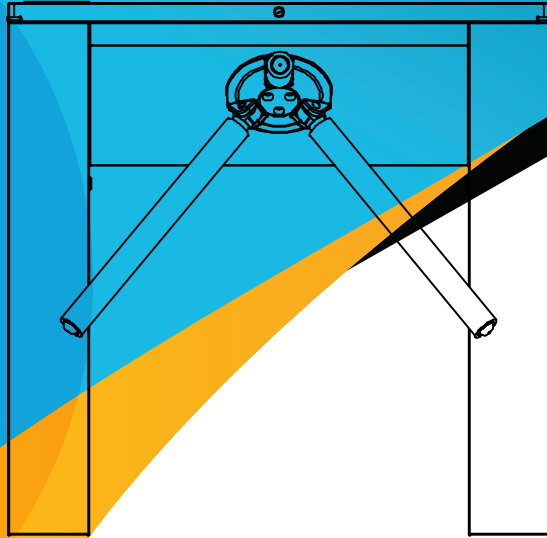


Usage Areas

- ✓ Factories
- ✓ Airports
- ✓ Public institutions
- ✓ Plazas
- ✓ Smart Buildings
- ✓ Hospitals
- ✓ Logistics Areas
- ✓ Chain Stores
- ✓ Residences
- ✓ Dams
- ✓ Business centers
- ✓ Academies
- ✓ Hotels
- ✓ Military Areas
- ✓ Shopping malls
- ✓ Dining Halls
- ✓ Gyms
- ✓ Activity Areas
- ✓ Fair Entries
- ✓ Public Transport Stations

Perkotek


"Everything is under control"



AVAX[®] com.tr

S200 DROP ARM /TRIPOD TURNSTILE

PERKOTEK TEKNOLOJI A.S.

 Mahmutbey Mah. Ordu Cad. No:29 Perkotek Plaza/Bagcilar/Istanbul

 www.perkotek.com  sales@perkotek.com  0 850 811 8000

Avax S200 DROP ARM /TRIPOD TURNSTILE



Avax S200 Drop Arm Turnstile device can work in harmony with cafeteria, access control, pdks programmes by connecting devices such as fingerprint, face recognition, card reader to the entry and exit sides.

The card reading device is built in to the internal reading sections on the turnstile for having an ergonomic and stylish appearance.

It runs fully compatible with all Face recognition, Fingerprint recognition, Card recognition and Password devices with short circuit (Dry contact) feature .

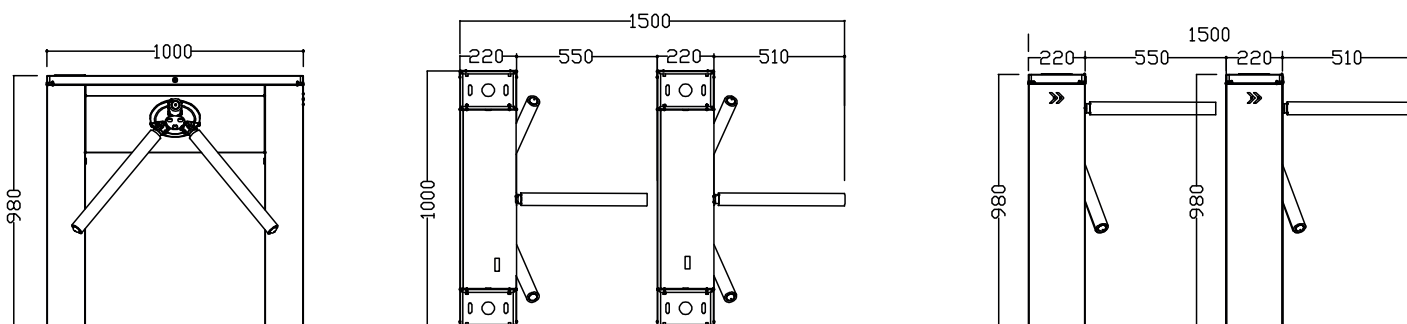
With the Emergency Dropping Arm feature,in case of energy cut-off, signal coming from the fire alarm system or emergency situations it provides fast and safe evacuation by dropping down. With the Emergency Button connection you can release all passes. Button connection can be made for guest or VIP passes. By connecting the counter on the turnstile, the total number of passes per day can be obtained.



Technical Specifications

Casing / Body	AISI 304 quality stainless steel
Arms	AISI 304 quality stainless steel
Passing Distance	50-55cm
Tripod Lockout	Allows passage only when the solenoid is pulled
Emergency Dropping Arm	In case of power failure, signal from the fire alarm system or emergency, provides rapid evacuation by dropping down
Direction of Passing	It can be adjusted as Entry only, Exit only, or passing from both directions as desired
Passing Time	Adjustable as required
Warning for pass	Provides visual and audible warnings
Passing Information	NC: Normally closed or NO: Normally open
Passing Speed	~ 35 people / minute
Passing Control	When one direction of rotation starts, the reverse direction is prevented and cannot be reversed after half rotation occurs.
Operating voltage	100/240 V
Power consumption	35 W
Frequency	50-60 Hz
Area of Use	Indoor and Outdoor
Operating temperature	-25 to +70 Degrees
Test Result	Tested 3 Million passes
Weight	Approx. 52 kg
Installed Dimensions	980x 220 x 1000 mm (without arms)
Access Control	It can run together as combined with Fingerprint, face recognition, vein recognition and card readers by receiving the signal.
Certifications	ISO, CE and Warranty certificate

Technical Drawing

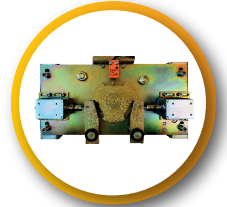


Advantages



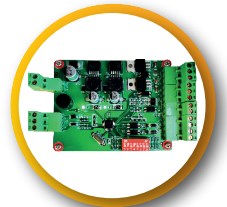
Arms with inner and outer parts are made of 304 quality stainless steel and are durable and long lasting.

Patented lubrication system minimizes the need for maintenance.



In case of power failure and emergency, the arm will automatically drop down, allowing you to pass quickly and without obstacles.

It has high quality PCB and electronic components. Runs without being affected by environmental electro-magnetic noise



Ergonomic plexy design facilitates face recognition, fingerprint reading and card reader installation.

It eliminates confusion by guiding with bright LED signs in the direction of passing



Ideal for indoor and outdoor use.

Thanks to the horizontal surface at the mounting point on the ground, Turnstile works without swinging during passes.

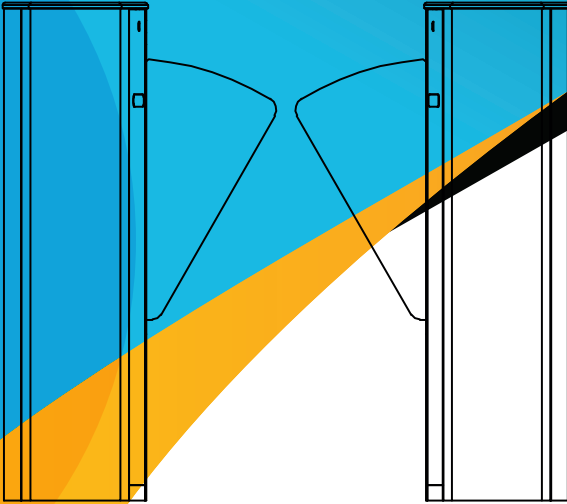


Usage Areas

- ✓ Factories
- ✓ Airports
- ✓ Public institutions
- ✓ Plazas
- ✓ Smart Buildings
- ✓ Hospitals
- ✓ Logistics Areas
- ✓ Chain Stores
- ✓ Residences
- ✓ Dams
- ✓ Business centers
- ✓ Academies
- ✓ Hotels
- ✓ Military Areas
- ✓ Shopping malls
- ✓ Dining Halls
- ✓ Gyms
- ✓ Activity Areas
- ✓ Fair Entries
- ✓ Public Transport Stations


Perkotek

"Everything is under control"



AVAX[®]
com.tr
SG500 SPEED GATE TURNSTILE

PERKOTEK TEKNOLOJI A.S.

 Mahmutbey Mah. Ordu Cad. No:29 Perkotek Plaza/Bagcilar/Istanbul

 www.perkotek.com  sales@perkotek.com  0 850 811 8000

Avax SG500 SPEED GATE TURNSTILE



Avax SG500 Speed Gate Turnstile is designed to be used in fast and intensive visitor-staff entrances, such as banks and holdings where luxury and prestige stand out. With Avax SG500 Rapid Transit Turnstile, architects and decorators have been given the opportunity to make a wide variety of super models.

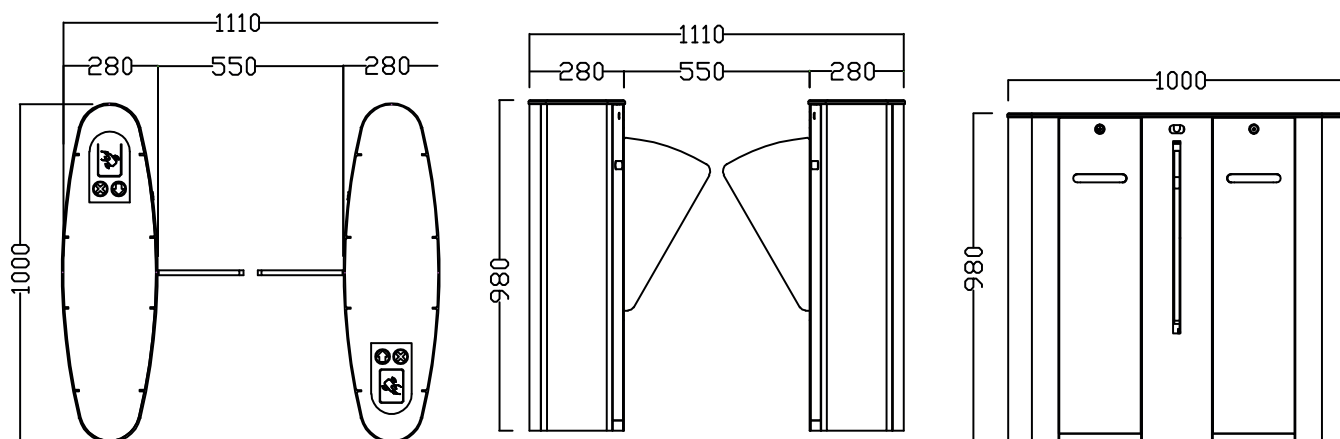
Avax SG500 Speed Gate Turnstile forms a corridor. In the middle of this corridor there is a curtain / wing made from the plexy-glass that prevents passing . When the visitor swipe the card, this curtain / wing opens. The sensor detectors in the corridor allow the card reading person to pass and while the visitor is passing through, if any other person behind tries to pass without swiping the card, it closes the curtain/wing suddenly and gives alarm sound. However, if there will be a danger to the person in case of a leaking attempt /forbidden pass, the wing does not close but the alarm sounds and warns the security.



Technical Specifications

Casing / Body	AISI 304 quality stainless steel
Arms	Plexy glass
Passing Distance	50-55cm
Passing Direction	It can be adjusted as Entry only, Exit only, or passing from both directions as desired
Passing Time	Adjustable as required
Warning for Pass	Provides visual and audible warnings
Passing Information	NC: Normally closed or NO: Normally open
Passing Speed	~ 70 people / minute
Passing Control	Single pass in the set direction, two-way single pass, free pass, always locked or released
Operating voltage	220/240 V
Power consumption	24 W
Frequency	50-60 Hz
Area of Use	Indoor Environment
Operating temperature	25 to +70 Degrees
Test Result	Tested 3 Million passes
Weight	Approx. 80 kg
Installed Dimensions	980 x 280 x 1000mm
Access Control	It can run together as combined with Fingerprint, face recognition, vein recognition and card readers by receiving the signal.
Certifications	ISO, CE and Warranty certificate

Technical Drawing

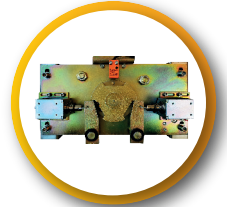


Advantages



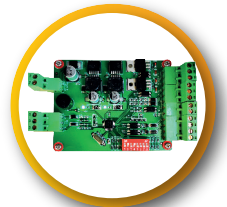
Arms with inner and outer parts are made of 304 quality stainless steel and are durable and long lasting.

Patented lubrication system minimizes the need for maintenance.



The most effective closing time and adjustable closing time can be set as desired after the speed gate turnstile will be opened

It has high quality PCB and electronic components. Runs without being affected by environmental electro-magnetic noise



Ergonomic plexy design facilitates face recognition, fingerprint reading and card reader installation.

It eliminates confusion by guiding with bright LED signs in the direction of passing



Suitable for indoor use.

As a result of the interior side is mounted on the floor, an elegant appearance is obtained.

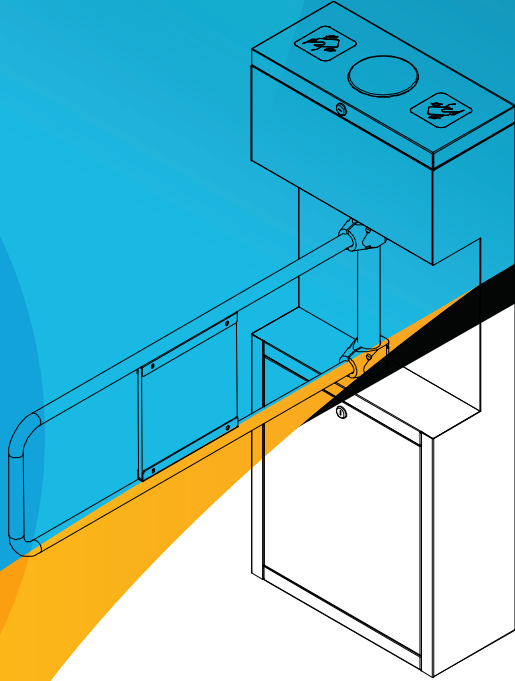


Usage Areas

- ✓ Factories
- ✓ Airports
- ✓ Public institutions
- ✓ Plazas
- ✓ Smart Buildings
- ✓ Hospitals
- ✓ Logistics Areas
- ✓ Chain Stores
- ✓ Residences
- ✓ Dams
- ✓ Business centers
- ✓ Academies
- ✓ Hotels
- ✓ Military Areas
- ✓ Shopping malls
- ✓ Dining Halls
- ✓ Gyms
- ✓ Activity Areas
- ✓ Fair Entries
- ✓ Public Transport Stations


Perkotek

"Everything is under control"



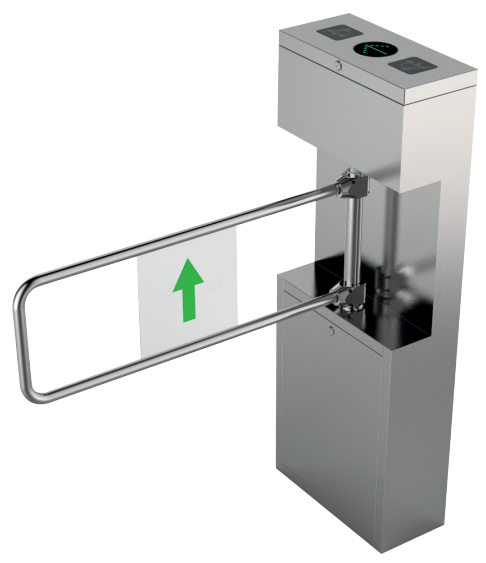
AVAX[®]
V90 Swing Gate Turnstile

PERKOTEK TEKNOLOJI A.S.

 Mahmutbey Mah. Ordu Cad. No:29 Perkotek Plaza/Bagcilar/Istanbul

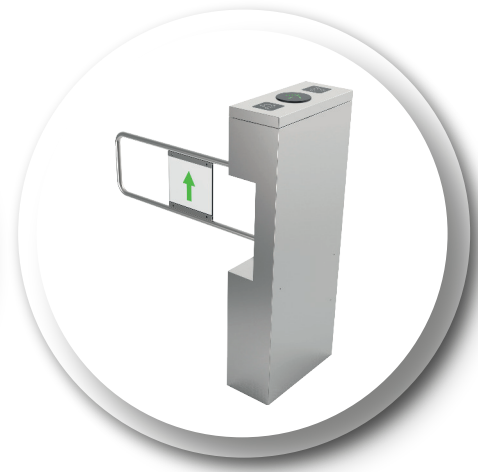
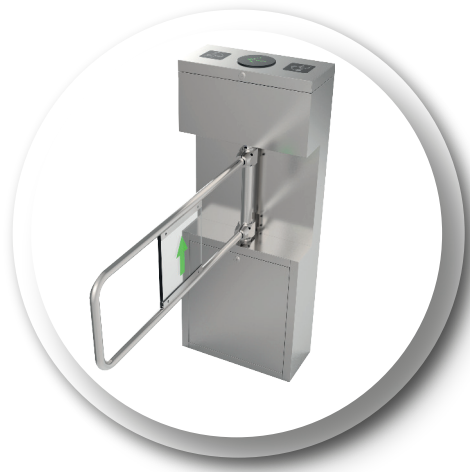
 www.perkotek.com  sales@perkotek.com  0 850 811 8000

Avax V90 Swing Gate Turnstile



Swing Gate turnstiles which are made of stainless steel, can provide authorized access to both directions. Superior performance engine can be operated by triggering from card reader, fingerprint reader, face recognition and vein recognition devices as well as it can be controlled by button or remote control. In case of a power failure, the arm drops to idle and allows free pass to desired direction. Disabled turnstiles which can provide access to 90 cm distance can be operated as combined with other tripod and speed gate turnstiles if desired.

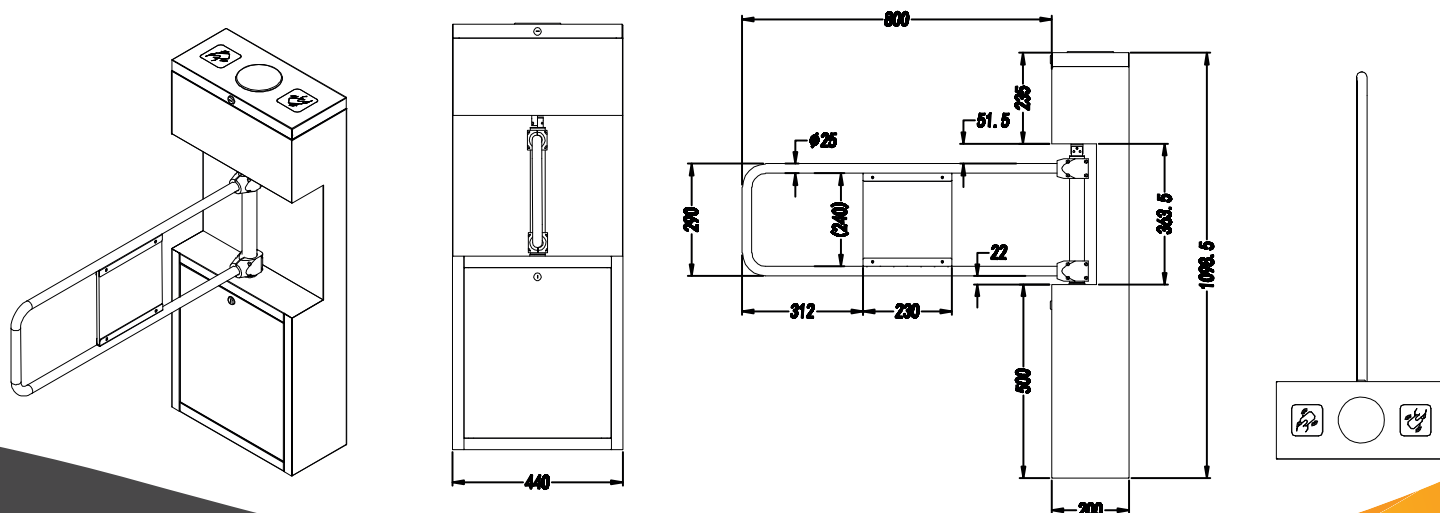
The most effective closing time can be set as desired with adjustable closing time after swing gate turnstile will be opened for passing. Suitable for intensive pass, runs as quiet and fast. It has two plastic covers on it and allows you to easily install the access control device.



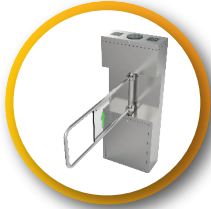
Technical Specifications

Body	AISI 304 quality stainless steel
Arms	AISI 304 quality stainless steel
Passing Distance	50-55cm
Tripod Lockout	Allows passing only when the solenoid is pulled
Direction of Passing	It can be adjusted as Entry only, Exit only, or passing from both directions as desired
Passing Time	Adjustable as required
Warning for pass	Provides visual and audible warnings
Passing Information	NC: Normally closed or NO: Normally open
Passing Speed	~ 70 people / minute
Passing Control	Single pass in the set direction, two-way single pass, free pass, always locked or released
Operating voltage	220/240 V
Power consumption	24 W
Frequency	50-60 Hz
Area of Use	Indoor and Outdoor
Operating temperature	-25 to +70 Degrees
Test Result	Tested 3 Million passes
Weight	Approx. 30 kg
Installed Dimensions	440 x 200 x 1098.5 mm
Access Control	It can run together as combined with Fingerprint, face recognition, vein recognition and card readers by receiving the signal. ISO, CE and Warranty certificate

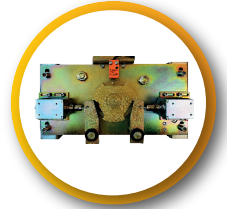
Technical Drawing



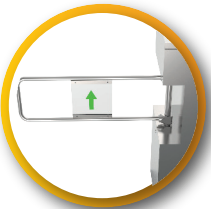
Advantages



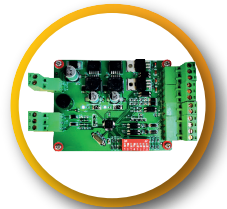
Arms with inner and outer parts are made of 304 quality stainless steel and are durable and long lasting.



Patented lubrication system minimizes the need for maintenance.



The most effective closing time can be set as desired with adjustable closing time after opening of VIP turnstile for passing



It has high quality PCB and electronic components. Runs without being affected by environmental electro-magnetic noise



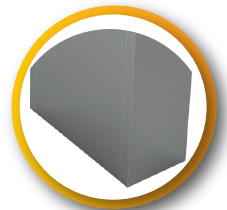
Ergonomic plexy design facilitates face recognition, fingerprint reading and card reader installation.



It eliminates confusion by guiding with bright LED signs in the direction of passing.



Ideal for indoor and outdoor use.



As a result of the interior side is mounted on the floor, an elegant appearance is obtained.

Usage Areas

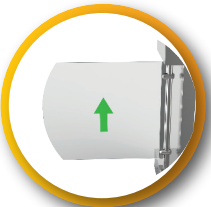
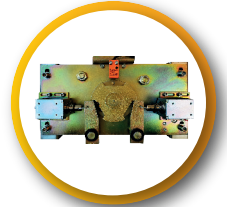
- | | | | | |
|--------------------|-------------------|-----------------------|------------------|-----------------------------|
| ✓ Factories | ✓ Airports | ✓ Public institutions | ✓ Plazas | ✓ Smart Buildings |
| ✓ Hospitals | ✓ Logistics Areas | ✓ Chain Stores | ✓ Residences | ✓ Dams |
| ✓ Business centers | ✓ Academies | ✓ Hotels | ✓ Military Areas | ✓ Shopping malls |
| ✓ Dining Halls | ✓ Gyms | ✓ Activity Areas | ✓ Fair Entries | ✓ Public Transport Stations |

Advantages



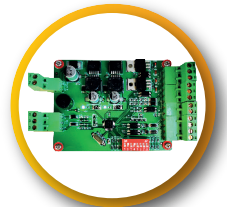
Arms with inner and outer parts are made of 304 quality stainless steel and are durable and long lasting.

Patented lubrication system minimizes the need for maintenance.



The most effective closing time can be set as desired with adjustable closing time after opening for VIP turnstile passing

It has high quality PCB and electronic components. Runs without being affected by environmental electro-magnetic noise



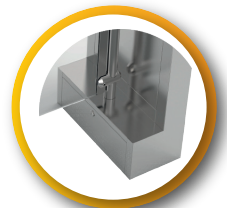
Ergonomic plexy design facilitates face recognition, fingerprint reading and card reader installation.

It eliminates confusion by guiding with bright LED signs in the direction of passing.



Ideal for indoor and outdoor use.

Thanks to the horizontal surface at the mounting point on the ground, turnstile runs without shaking during passes.



Usage Areas

- | | | | | |
|--------------------|-------------------|-----------------------|------------------|-----------------------------|
| ✓ Factories | ✓ Airports | ✓ Public institutions | ✓ Plazas | ✓ Smart Buildings |
| ✓ Hospitals | ✓ Logistics Areas | ✓ Chain Stores | ✓ Residences | ✓ Dams |
| ✓ Business centers | ✓ Academies | ✓ Hotels | ✓ Military Areas | ✓ Shopping malls |
| ✓ Dining Halls | ✓ Gyms | ✓ Activity Areas | ✓ Fair Entries | ✓ Public Transport Stations |

Perkotek

Please watch our company introduction video <https://www.youtube.com/watch?v=VFfp5soTQJc>



MAGIC PASS
Professional Fingerprint Systems

MAGIC FACE

STRIKE

AVAX

SENSITIVE

SECUDA

RESPECT

GUSTAVO

GuardX

PERGUARD

Guard TOUR
Professional Entry System For Reading Systems

ciaat

Face recognition

Magic Face 880 ID



Magic Face 860 ID



mifare card module +10\$

mifare card module +10\$

Face Capacity	3.000
Fingerprint Capacity	10.000
Card Capacity	3.000
Display	4,3 Touch screen
Log Capacity	200.000
Communication	Wi-Fi, TCP/IP, USB host
Wiegand Signal	In & Out
Relay Output	Yes
Internal Battery	Yes



Face Capacity	2.000
Fingerprint Capacity	2.000
Card Capacity	2.000 proximity card
Display	Color screen
Log Capacity	200.000
Communication	TCP/IP, USB Memory Disk
Wiegand Signal	In & Out
Relay Output	Yes
Internal Battery	Yes



Magic Face 856 ID



Magic Face 835



mifare card module +10\$

mifare card module +10\$

Face Capacity	1.000
Fingerprint Capacity	3.000
Card Capacity	3.000 proximity card
Display	4,3 Touch screen
Log Capacity	160.000
Communication	TCP/IP, USB Memory Disk
Wiegand Signal	In & Out
Relay Output	Yes
Internal Battery	Yes



Face Capacity	300
Fingerprint Capacity	3.000
Card Capacity	300 proximity card
Display	Color screen
Log Capacity	160.000
Communication	Wi-Fi, TCP/IP, USB host
Wiegand Signal	In & Out
Relay Output	Yes
Internal Battery	Yes



Finger print systems

Magic Pass 20657 ID



Magic Pass 20656 ID



mifare card module +10\$

mifare card module +10\$

Fingerprint Capacity	6.000
Card Capacity	6.000
Display	2.4 TFT screen
Log Capacity	150.000
Communication	TCP-IP / USB Memory Disk
Wiegand Signal	In & out
Relay Output	Yes
Internal Battery	Yes



Fingerprint Capacity	6.000
Card Capacity	6.000
Display	2.4 TFT screen
Log Capacity	160.000
Communication	TCP-IP / USB Memory Disk
Wiegand Signal	In & out
Relay Output	Yes
Internal Battery	Yes



Magic Pass 22000 ID



Magic Pass 21500 ID



Fingerprint Capacity	30.000
Card Capacity	30.000
Display	4,3 TFT screen
Log Capacity	300.000
Communication	TCP-IP / USB Memory / WiFi
Wiegand Signal	In & out
Relay Output	Yes
Internal Battery	Yes



Fingerprint Capacity	10.000
Card Capacity	10.000
Display	3,5 TFT screen
Log Capacity	160.000
Communication	TCP-IP / USB / Rs232 / RS485
Wiegand Signal	In & out
Relay Output	Yes
Internal Battery	Yes



Finger print systems

Magic Pass 12625 ID



Magic Pass 12550 ID



mifare card module +ios

Fingerprint Capacity	3.000
RFID Card Capacity	3.000
Display	2.8 TFT screen
Log Capacity	160.000
Communication	TCP/IP, USB host - slave. WiFi
Wiegand Signal	In & out
Relay Output	Yes
Internal Battery	Yes



Fingerprint Capacity	3.000
RFID Card Capacity	3.000
Display	2.4 TFT screen
Log Capacity	100.000
Communication	TCP-IP / USB / RS232 / RS485
Wiegand Signal	In & out
Relay Output	Yes
Internal Battery	Yes



Magic Pass 12525 ID



Magic Pass 12500 ID



Fingerprint Capacity	3.000
RFID Card Capacity	3.000
Display	2.4 TFT screen
Log Capacity	100.000
Communication	TCP-IP / USB / RS232 / RS485
Wiegand Signal	In & out
Relay Output	Yes
Internal Battery	Yes



Fingerprint Capacity	3.000
RFID Card Capacity	5.000
Display	2.4 TFT screen
Log Capacity	150.000
Communication	TCP-IP / USB Memory / RS485
Wiegand Signal	In & out
Relay Output	Yes
Internal Battery	Yes



Fingerprint systems

Magic Pass 12450 ID



Magic Pass 12300 ID



Fingerprint Capacity	2.000
Card Capacity	5.000
Display	3.2 TFTscreen
Log Capacity	100.000
Communication	TCP-IP / USB / RS232 / RS485
Wiegand Signal	In & out
Relay Output	Yes
Internal Battery	Yes



Fingerprint Capacity	1.500
Card Capacity	10.000
Detent	Turnstile, barrier and door
Log Capacity	100.000
Communication	TCP-IP / USB / RS232 / RS485
Wiegand Signal	In & out
Relay Output	Yes
Internal Battery	Yes



Magic Pass 12150 ID



Magic Pass 12370 ID



Fingerprint Capacity	500
Card Capacity	500
Detent	Turnstile, barrier and door
Log Capacity	100.000
Communication	TCP-IP / USB / RS232 / RS485
Wiegand Signal	In & out
Relay Output	Yes
Internal Battery	Yes



Capacity	300 PCS in total (fingerprint, card and password)
Material	Zinc Alloy
Size	270 mm x 65 mm
Color Optional	Gold, Silver and Black
Mortise Type	5050 Mortise Small Size Type
Quiescent Current	≤60uA
Unlock Methods	Fingerprint/Card/Password/Key



paneled and carded passing systems

Strike MX with 16 Readers Panel



24/7 continuous operation / With 12V 2A battery
16 Wiegand card readers can be connected
It has 2 pcs of RS-485 ports
It has 10 Mbit Ethernet-TCP / IP interface
Power supply 12V DC min. 1 A / Voltage control LEDs
It has 10A NC / NA relay output.
Can keep 100,000 events in memory.
In the same network, 256 ad panels can be used
and 4,096 card readers can be controlled at the
same time. / It has 1 pcs of RS-232 port.
LED monitoring for optical interface.



Strike MX with 2 Readers Panel



24/7 continuous operation / With 12V 2A battery
2 pcs of Wiegand card readers can be connected
It has 2 pcs of RS-485 ports
It has 10 Mbit Ethernet-TCP / IP interface
Power supply 12V DC min. 1 A / Voltage control LEDs
It has 10A NC / NA relay output.
Can keep 100,000 events in memory.
In the same network, 256 ad panels can be used
and 4,096 card readers can be controlled at the
same time. / It has 1 pcs of RS-232 port.
LED monitoring for optical interface.



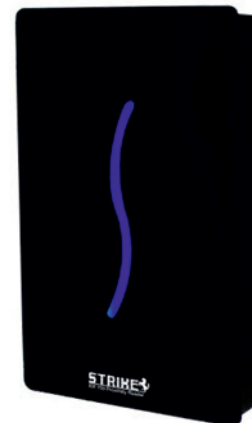
Strike KR 700 Wiegand RFID Reader



Card Reading Type	125 kHz proximity
Exit Form	26 / 34bit Wiegand (default)
Buzzer	Yes
Protection	Ip65 Waterproof standard
Energy	DC 12V / Max.110mA
Material	ABS + Solid Epoxy Injection
LED	It has 2 LEDs
Dimensions	115 mm × 75 mm × 16 mm



Strike KR 710 Wiegand Mifare Reader



Card Reading Type	13,56 Mhz mifare cards
Exit Form	26 / 34bit Wiegand (default)
Buzzer	Yes
Protection	Ip65 Waterproof standard
Energy	DC 12V / Max.110mA
Material	ABS + Solid Epoxy Injection
LED	It has 2 LEDs.
Dimensions	115 mm × 75 mm × 16 mm



standalone card reader

Strike 10R and 10RP Proximity



Strike 20R and 20RP Proximity



10R: 800 card / 10RP: 800 card and password
Fast reading and fast door detenting with ARM processor. / Relay output with adjustable time
Color changing LEDs in defined card passings
Master card and user card can be defined
Can erase user cards with master card
Piezo buzzer and sound alerts for undefined and defined cards. / 12V DC supply voltage



20R: 800 card / 20RP: 800 card and password
Fast reading and fast door detenting with ARM processor. / Relay output with adjustable time
Color changing LEDs in defined card passings
Master card and user card can be defined
Can erase user cards with master card
Piezo buzzer and sound alerts for undefined and defined cards. / 12V DC supply voltage



Strike 30R and 30RP Mifare



Strike 7.60 Proximity with Password



30R: 800 card / 30RP: 800 card and password
ARM processor with fast reading and fast door detent sending indicator / Relay output with adjustable time
Color changing LEDs in defined card passings
Master card and user card can be defined
Can erase user cards with master card
Piezo buzzer and sound alerts for undefined and defined cards. / 12V DC supply voltage



It is in IP 68 protection standard and waterproof and can be used inside and especially outside. It can recognize 3000 proximity cards and passwords. It has ARM processor with fast read and fast response. It can detent without connecting to the computer (as standalone) and make open the door. Magnetic contact can be connected. Voltage: 12 V 1.5 A / Dimensions: 160 x 43 x 21 mm



pan paneled and carded passing systems

Strike SC 902 Proximity



Strike 7.50RP Proximity with Password



TCP/IP Connection. CLOUD Supported Card Reader. It has a capacity of 50,000 users. It can recognize 50,000 cards or passwords. It has a capacity of 160,000 logs It allows to pass through password or card. The card it reads can be launched from CLOUD to a computer in a different location. Width: 9 cm x Height: 12 cm x Depth: 4 cm. The keys can be programmed as desired.



3000 proximity card and password can be defined. It reads serial and reacts quickly with the ARM processor. / Detent time can be adjusted. Provides a high level of protection against impact. with metal casing. / It is waterproof and can be used inside and especially outside. It can read cards max. from 15 cm. Working Voltage: 12 V 1.5 A



Strike 5.45 R Proximity



Proximity Card and Mifare Card



Stand-alone operation. 2000 card users can be defined 64 Bit Standard or EM compatible cards Max 15 cm. distance reading The card reader can display the passings with red and green LEDs. / IP65 is in waterproof form. Relay output time can be adjustable. / Piezo buzzer 12V DC supply voltage

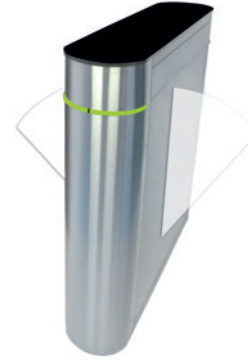


turnstile systems

Avax HG 5370 Speed Gate



Avax HG 5370 Double Speed Gate



Energy	100 - 240 volts AC
Power Consumption	60 + 60 watt
Case (Housing)	304 quality stainless steel
Temperature	-20 to +60 °C
Installation	Fast and easy with assembly kit
Dimensions	280 mm x 1215 mm x 980 mm
Passing Space	Min. 60 cm.
Certificates	Iso 9001:2008



Energy	100 - 240 volts AC
Power Consumption	60 + 60 watt
Case (Housing)	304 quality stainless steel
Temperature	-20 to +60 °C
Installation	Fast and easy with assembly kit
Dimensions	280 mm x 1215 mm x 980 mm
Passing Space	Min. 60 cm.
Certificates	TSEK and ISO 9001: 2008



Avax PM 6000 Tripod Drop Down



Avax PM 5000 Tripod Drop Down



Industrial parts are used for 24 hours continuous application and durable.
Body and arms are stainless 304 quality steel.
It has a dry contact relay of 12 volts or 24 volts.
The passing width is about 55 cm.
Passing intensity is 35-50 persons per minute.
Operating frequency 50-60 Hz
Dimensions are 1200 x 280 x 980 mm / Weight: 52 kg



Industrial parts are used for 24 hours continuous application and durable.
Body and arms are stainless 304 quality steel.
The operating voltage is between 100 V / 240 V
The passing width is about 50 cm - 55 cm
Passing intensity is 35-50 persons per minute.
Operating frequency 50-60 Hz
Dimensions are 480 x 280 x 980 mm / Weight is 44 kg



turnstile systems

Avax V90 Vip



Case (Housing)	AISI 304 quality stainless
Arm	Aluminum anodized and thermic
Power Supply	220 VAC, 60 Hz
Passing Space	85cm (85cm arm + 5cm gap)
Weight	20 kg
Area of Use	Indoor and outdoor
Temperature	-15 to +60 °C
Passing Speed	1.5 to 2.5 seconds



Avax C90 Plexy Vip



Case (Housing)	AISI 304 quality stainless
Arm	Manufactured from 2 mm plexy
Power Supply	220 VAC, 60 Hz
Passing Space	90 cm (85 cm arm + 5 cm gap)
Weight	Approx. 22 kg
Area of Use	Indoor and outdoor
Temperature	-15 to +60 °C
Passing Speed	1.5 to 2.5 seconds



Avax B6100 Paint Full Height



Power	100 - 240 V AC
Power Consumption	150 watt
Trunk (1,5 mm)	Metal sheet electrostatic paint
Temperature	(-20), (+50) °C
Arm Length	58 cm.
System	With a microprocessor control.
Application	Unique input and output sound effects, pass alert blinkers.



Avax P6200 Stainless Steel Full Height



Power	100 - 240 V AC
Power Consumption	150 watt
Trunk (1,5 mm)	304 quality stainless steel
Temperature	(-20), (+50) °C
Arm Length	58 cm.
System	With a microprocessor control.
Application	Unique input and output sound effects, pass alert blinkers.



hotel door locks systems

Gustavo 560 Hotel Locks

Energy Saver and Hotel Card



Thanks to the Energy saver, all electronic items left as on when the customer leaves the room are automatically switched off. Thus, a large amount of energy saving is achieved. By using Energy Saver, you will provide almost 20% to 25% of energy saving in the hotels.



Unprinted hotel room card, it is the printless situation of the card to be used for detenting Gustavo Locks.

Lock Test	300,000 times tested lock
Card Type	T5557 Mifare or Em card
Reading Distance	5-8 cm card reading distance
Frequency	125 KHz or 13.56 MHz
Weight	Approx. 3 kg.
Power Supply	DC 4.5V-6.5V
Reading and Writing	<0.5 seconds
Data Battery	Data stored for 10 years



Gustavo 55 Card Encoder

HOTEL DOOR LOCK SYSTEM PROGRAM



With the door card encoder you can use it to code the card which you will use to open the hotel door lock. During the coding process, the card is recorded for how long the customer will be in the room. So at the end of that time the hotel card will not open the door of the room and indicate that it is not authorized to stay.



With the Gustavo Hotel Door Lock System Program, hotel customers' access in our words check-in and check-out procedures have been carried out. With the Gustavo hotel door lock program, hotel rooms on all floors are separately identified and the card is authorized through the software for the period as long as the customer stays. There are also fully authorized cards that identified to this program.



locks systems ve buttons

Strike MN 500 U



Lock Dimensions	150Lx39WX37H (mm)
Lock Structure	Stainless Steel
Holding Power	1.000 kg.
Voltage	12V
Weight	1,3 kg.
Feature	Fail Secure
Surface Heat	+ 20 °C
Places of Usage	Glass, wooden, metal, PVC door



Strike MN 350



Lock Dimensions	285Lx55Wx27.5H (mm)
Lock Structure	Hardened Aluminum
Holding Power	350kg (800Lbs)
Voltage	12V / 480mA
Weight	2,5 kg
Feature	Fail Secure
Surface Heat	+ 20 °C
Places of Usage	Glass, wooden, metal, PVC door



Strike MN 280



Lock Dimensions	250L x 48.5W x 25H mm.
Lock Structure	Aluminum
Holding Power	280 kg. (600Lbs)
Voltage	12 Volt / 500mA
Weight	2,1 kg.
Feature	Fail Secure
Surface Heat	+ 20 °C
Places of Usage	Metal/PVC/metal/glass/wooden



Strike MN 500



Lock Dimensions	150Lx39WX37H (mm)
Lock Structure	Stainless Steel
Holding Power	1,000 kg.
Voltage	12V
Weight	1.3 kg.
Feature	Fail Secure
Surface Heat	+ 20 ° c
Places of Usage	Glass, wooden, metal, PVC



locks systems ve buttons

Strike MN 180



Lock Dimensions	170 mm x 35 mm x 21 mm.
Lock Structure	Hardened aluminum
Holding Power	180 kg.
Voltage	12 Volt / 480mA
Weight	1.2 kg.
Feature	Fail Secure
Surface Heat	+ 20 °C
Places of Usage	Glass, wooden, metal, PVC door



Strike YB 800



Lock Dimensions	205Lx35WX41H (mm)
Lock Structure	Hardened Aluminum
Holding Power	800 kg.
Voltage	12V
Weight	0.72 kg.
Feature	Fail Secure
Surface Heat	+ 20 °C
Places of Usage	Wooden, metal, PVC door



Strike MN 233



Lock Dimensions	250Lx25Wx31H (mm)
Lock Structure	Stainless Steel
Holding Power	800 kg.
Voltage	12 Volt DC
Weight	0.4 kg.
Feature	Fail Secure
Surface Heat	+ 20 °C
Places of Usage	Metal, PVC, wooden door



Strike MN 232



Lock Dimensions	250Lx25Wx28H (mm)
Lock Structure	Stainless Steel
Holding Power	800 kg.
Voltage	12V DC
Weight	0.4 kg.
Feature	Fail Secure
Surface Heat	+ 20 ° c
Places of Usage	Wooden, metal, PVC



locks systems ve buttons

Strike MN 133



Lock Dimensions	160 L x 25 W x 28 H mm.
Lock Structure	Stainless steel.
Holding Power	500 kg.
Voltage	12 Volt / 480mA
Weight	0.4 kg.
Feature	Fail Secure
Surface Heat	+ 20 °C
Places of Usage	Glass door



Strike MN 905 Button



Dimensions	83L x 32W x 25H (mm)
Material	Keyed Stainless Steel Panel
Current	3A, 36VDC mA
Output Contacts	NCCOM
Mechanical Life	Open 500,000 Times (Tested)
Temperature Range	10 ~ + 55 °C (14-131F)
Humidity	0-95%
Weight	0.086 kg



Strike MN 901 Button



Dimensions	86 L x 28 W x 20 H mm.
Material	Stainless steel panel with key.
Current	3A, 36 Volt DC (Maximum)
Output Contact	NCCOM
Mechanical Life	Open 500,000 times. (Tested)
Temperature Range	10 ~ + 55 °C. (14-131 F)
Humidity	0-95%
Weight	0.1 kg (100 gr).



NO Touch Button



Dimensions	86Lx86Wx29H (mm)
Operating Voltage	12-28V, 3A
Test Result	500,000
Output Contact	NO / NC / COM
LED Warning	White / Blue / Red
Temperature Range	-20 °C ~ + 55 °C (14-131F)
Humidity	0-95%
Weight	148 gr



locks systems ve buttons

APPARATUS



U APPARATUS (Mn350)

U apparatus for electromagnetic glass door locks.



LZ APPARATUS (Mn180)

Magnetic door holder LZ apparatus (for MN180 magnetic door lock)



U APPARATUS (Mn180)

U apparatus for electromagnetic glass door locks.



LZ APPARATUS (Mn280)

Magnetic door holder LZ apparatus (for MN280 magnetic door lock)



LZ APPARATUS (Mn350)

LZ apparatus for electromagnetic glass door locks.



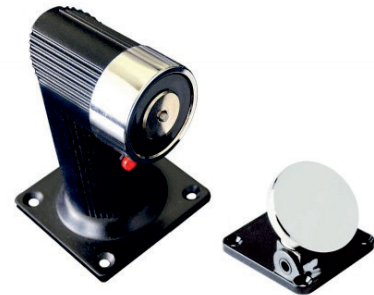
LZ APPARATUS (Mn500)

Magnetic door holder LZ apparatus (for MN500 magnetic door lock)

Touch Button



Strike Door Holder



Dimensions	L 80 x W 80 x H 120 (mm)
Holding Power	70 kg.
Voltage	DC 24 Volt + 10% (Adjustment)
Current	12V / 140mA - 24V / 70mA
Temperature	≤ + 20 °C surface temperature
Operating °C	-10 ~ + 55 °C. (14-131F)
Humidity	0-95%
Weight	1.05 kg.



guard tour systems

GUARD TOUR GUARD WATCH SET



Set Content

- 1 pcs Guard Tour Proximity Smart Guard Pen
- 1 pcs LCD Transmitting Device
- 1 pcs Guard Control Program
- 1 pcs Guard Tour Transmitting ve Charging Device
- 6 pcs Guard Control Points
- 3 pcs Guard Introduction Card
- 1 pcs USB Communication Cable + Adaptor



PERGUARD LCD GUARD WATCH SET



Set Content

- 1 pcs Perguard LCD Smart Guard Pen
- 1 pcs Guard Control Program
- 6 pcs Guard Control Points
- 3 pcs Guard Introduction Card
- 1 pcs Guard Watch Carriage Covering
- 1 pcs USB Communication Cable + Adaptor



PERGUARD GUARD WATCH SET



Set Content

- 1 pcs Perguard Smart Guard Pen
- 1 pcs Guard Control Program
- 1 pcs GuardX Transmitting ve Charging Device
- 6 pcs Guard Control Points
- 3 pcs Guard Introduction Card
- 1 pcs USB Communication Cable + Adaptor



barrier systems

Avax MX6 Car Parking Barrier



Avax MN6 Car Parking Barrier



Energy	220VAC 50 / 60Hz
Power Consumption	100W
Case (Housing)	Ip44, electrostatic painted time-controlled, keyed lid
Dimensions	355 mm x 280 mm x 1050 mm
Arm Length	6 m. and intermediate lengths
Remote Control	With button, 50 m. interaction area, including battery.



Energy	220VAC 50 / 60Hz
Power Consumption	80W - 24VAC
Case (Housing)	Ip44, electrostatic painted time-controlled, keyed lid
Dimensions	30 cm x 22 cm x 106 cm
Arm Length	6 m. and intermediate lengths
Remote Control	With button, 50 m. interaction area, including battery.



Avax MN5 Car Parking Barrier



Avax MN3 Car Parking Barrier



Energy	220VAC 50 / 60Hz
Power Consumption	80W - 24VAC
Case (Housing)	Ip44, electrostatic painted time-controlled, keyed lid
Dimensions	30 cm x 22 cm x 106 cm
Arm Length	5 m. and intermediate lengths
Remote Control	With button, 50 m. interaction area, including battery.



Energy	220VAC 50 / 60Hz
Power Consumption	80W - 24VAC
Case (Housing)	Ip44, electrostatic painted time-controlled, keyed lid
Dimensions	30 cm x 22 cm x 106 cm
Arm Length	3 m. and intermediate lengths
Remote Control	With button, 50 m. interaction area, including battery.

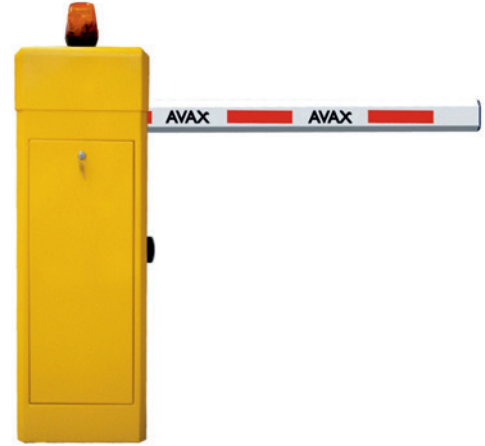


barrier systems

Avax DZ6 Car Parking Barrier



Avax DZ3 Car Parking Barrier



Energy	220VAC 50 / 60Hz
Power Consumption	90W - 24VAC
Case (Housing)	Ip44, electrostatic painted time-controlled, keyed lid
Dimensions	34 cm x 28 cm x 100 cm
Arm Length	6 m. and intermediate lengths
Remote Control	With button, 50 m. interaction area, including battery.



Energy	220VAC 50 / 60Hz
Power Consumption	90W - 24VAC
Case (Housing)	Ip44, electrostatic painted time-controlled, keyed lid
Dimensions	34 cm x 28 cm x 100 cm
Arm Length	3 m. and intermediate lengths
Remote Control	With button, 50 m. interaction area, including battery.



Accordion Barrier



Hgs - Ogs Panel Antenna



It consists of lockable modules that can be attached to each other. It is suitable for fixed or mobile use. Any desired quantity additional module can be added to the accordion barrier which is 2 meters in open length. The wheels are 9.5 cm in diameter. The length of the barrier is 200 cm when it is open and the maximum height is 210 cm. The accordion barrier has a weight of 20 kg.



2x16 LCD information display
 2 pcs Wiegand HGS antennas can be connected
 Adjustable read time of the same card (Global)
 It is ethernet based, connected to the pc via TCP/IP
 Card capacity; 65,000 HGS labels can be defined.
 Ability to give audible and light warning alerts.
 Data download speed 120,000 records / minute
 Supply 12-24V AC / DC



barrier systems

Avax 730 Ogs - Hgs Antenna



Frequency	ISM 902 to 928 MHz (FCC), 920 to 925 MHz or 867 to 870 Mhz European Compliant FHSS or Fix
Communication	Tcp-Ip/Rs232-485/Wiegand26-34
Reading Distance	0-50 m.
Weight	6 kg.
RF Output Power	Adjustable 0 ~ 30dBm
Temperature	-60 and +85 degrees



Avax 725 UHF Antenna



Frequency	ISM 902 to 928 MHz (FCC), 920 to 925 MHz or 867 to 870 Mhz European Compliant FHSS or Fix
Communication	Tcp-Ip/Rs232-485/Wiegand26-34
Reading Distance	0-35 m.
Weight	6 kg.
RF Output Power	Adjustable 0 ~ 30dBm
Temperature	-60 and +85 degrees



Avax 721 Ogs -Hgs Tag (for 100 pcs)



Frequency	860 ~ 960 Mhz
Standard	ISO18000-6C (EPC-Gen2)
Chip	Alien H3
HGS Label	0-50 m (reading range)
OGS Label	0-10 m (writing range)
Data Saving	10 years
Dimensions	90 mm × 19 mm
Temperature	-60 to +85 degrees



Avax 700 Mounting Pole



Ogs - Hgs car parking vehicle recognition system

Remote Control Receiver Unit



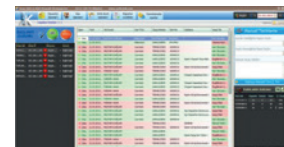
300 pcs of remote control can be defined to external receiver.

Loop Detector



AC220V, 50HZ / 2 relay outputs / 4 degree adjustable single channel

Software



Ogs-Hgs system car parking and site entry & exit control programme.

shop anti theft systems antenna

Sensitive 550



It is made of 20 mm thick plexy glass and has a successful reading with a depth of 375 mm.
It has 4 different detection zones and its reading performance is very successful.
RF reads hard and paper labels.
The open dimensions are 1580 * 375 * 20 mm.
Paper label scan distance: 1.4 m.
Hard TAG scan distance: 2 m.



Sensitive 540



It is made of 20 mm slim plexiglass and durable and elegant.
It has 3 separate detection zones.
It weighs 14 kg.
RF reads hard and paper labels.
The open dimensions are 1525 x 200 x 20 mm.
Paper label scan distance: 1.4 m.
Hard TAG scan distance: 2 m.



Sensitive 530



Frequency	8.2 MHz
Temperature	0-45 °C
Tag Distance	1.4 m (paper tag scannig) 2 m (hard tag scanning)
Product Dimensions	1550 * 420 * 60 mm
Package Dimensions	1600 * 400 * 195 mm
Weight	13.9 kg.
Material	Aluminum - Plastic



Sensitive 880 AM

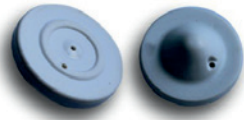


Frequency	58 KHz
Temperature	0-45 °C
Tag Distance	2.8 m (paper tag scannig) 2.8 m (hard tag scannig)
Product Dimensions	1500 * 450 * 115 mm
Package Dimensions	1520 * 480 * 250 mm
Working Material	TX + RX or MONO ABS Plastic



shop anti theft systems tag

TAGS



(1.000 pcs In one pack)

Sensitive Mini Round Tag

It is used for Shop antennas which operate with radio frequency. The standard color is black. The sensing distance is around 140-180 cm depending on the magnetic field density of the environment. 1,000 pieces of Mini Round Shop anti-theft tags are available in each box.



(1.000 pcs In one pack)

Sensitive Round Tag

It is used for Shop antennas which operate with radio frequency. The standard color is white. The sensing distance is around 150-190 cm depending on the magnetic field density of the environment. 1,000 pieces of Round Shop anti-theft tags are available in each box.



(1.000 pcs In one pack)

Sensitive Mini Square Tag

It is used for Shop antennas which operate with radio frequency. The standard color is black. The sensing distance is around 140-180 cm depending on the magnetic field density of the environment. 1,000 pieces of Mini Square Shop anti-theft tags are available in each box.



(1.000 pcs In one pack)

Sensitive Large Square Tag

It is used for Shop antennas which operate with radio frequency. The standard color is white. The sensing distance is around 140-160 cm depending on the magnetic field density of the environment. 1,000 pieces of Large Square Shop anti-theft tags are available in each box.



(1.000 pcs In one pack)

Sensitive Short Slipper Tag

It is used for Shop antennas which operate with radio frequency. The standard color is black. The sensing distance is around 140-180 cm depending on the magnetic field density of the environment. 1,000 pieces of Mini Square Shop anti-theft tags are available in each box.



(1.000 pcs In one pack)

Sensitive Large Slipper Tag

It is in the frequency of 58 KHz and works with the antenna system of AM antenna product protection system. It is made of ABS plastic. Spring type locking system. Package weight is 15,2 kg. There are 1000 pcs in each package. / Package dimensions are 45 x 35 x 30 cm



(1.000 pcs In one pack)

Sensitive 4x4 Tag

It is used for Shop anti theft antennas which operate with radio frequency. The sensing distance is around 110-140 cm depending on the magnetic field density of the environment. 1,000 pieces of SENSITIVE 4X4 Shop anti-theft tags are available in each box.



(1.000 pcs In one pack)

Sensitive Mini Pencil Tag

58 KHz Akusto Magnetic label. It is in gray color and sizes 46x13 mm. There are 1000 pieces in the package. Carton sizes are 40X30X14 cm and weighs 9,5 kg.



(1.000 pcs In one pack)

Sensitive DR Shop Unti Theft Tag

It is 45 x 10 mm in size. It has a frequency of 58 KHz and is used together with the Akusto magnetic anti theft antennas. It can be easily stick on small size products in market, stationery, perfume, bijouterie and technology stores.



(1.000 pcs In one pack)

Sensitive Lanyard

There are 1000 pcs in each package. LANYARD WIRE NAIL, which is in black color as standard, is mainly used for handled products such as shoes and bags without piercing them.

tag remover > tag deactivator

Sensitive Shop Unti Theft Magnetic Tag Remover



It has been used for removing the shop anti theft hard tags and labels from the nails.
It is very simple to use.
Does not harm the products used.
Allows labels to be removed quickly.



Sensitive Tag Deactivator



Frequency: 7.0-9.0MHz
Operating Temperature: 0-45 °C
Interaction Distance: 10 cm.
Energy: 18 V DC / Dimensions: 24 x 24 cm
Weight: 1.2 kg



Akusto Magnetic Tag Deactivator



It deactivates 58 KHz Akusto Magnetic DR tags.
Dimensions :22,5 x 19 cm / It can be used on the table and as built in to the table. Made from hard ABS plastic, it can deactivate the tags up to 10 cm distance. Gives a warning with sound of 70 dB.



Akusto Magnetic Tag Deactivator



It removes Akusto magnetic hard tags
It is in dark gray color and can be use as built in to the worktable.
It is made of strong ABS plastic
Dimensions 220 x 180 mm / It is about 1.6 kilograms.



Sensitive Shop Unti Theft Magnetic Tag Remover



It is a mechanical tag remover. When you hold it on the akusto magnetic tag, it is easily detached.
It is used to detach Super tag and vst tags. The safety cord is fixed to the table and the remover is protected against being stolen or lost.



walkthrough and handheld detectors

Secuda SEC 200



Secuda SEC 650



Correct Position	... overlapping detection zones
Power Consumption	<= 30 watt
Frequency	50-60 Hz
Operating Voltage	220 volt or 100 volt AC
Temperatures	-20 to +45 degrees
Dimensions	2200 mm x 700 mm x 500 mm
Weight	Approximately 92 kgs.
Humidity	≤ 95%



Correct Position	18 overlapping detection zones
Power Consumption	<= 35 watt
Frequency	50-60 Hz
Operating Voltage	220 volt or 100 volt AC
Temperatures	-20 to +70 degrees
Dimensions	2230 mm x 820 mm x 630 mm
Weight	65 kg.
Humidity	≤ 95%



Secuda SEC 850



Secuda Handheld Detector



Correct Position	33 overlapping detection zones
Power Consumption	<= 35 watt
Frequency	50-60 Hz
Operating Voltage	AC 220V
Temperatures	-10 to +50 degrees
Dimensions	2225 mm x 860 mm x 560 mm
Weight	70kg (carton package)
Humidity	≤ 95%



Frequency / Voltage:	22 KHZ / 9 V
Dimensions:	410 x 85 x 45mm / Weight: 409 gr.
Distinguish between ferrous and other metals.	
Audible, illuminated and vibrating warning	
Sound and light warning in low battery.	
Ability to adjust sensitivity.	
Leather-covered, easy to use and ergonomic, healthy design. (with battery and charge adapter)	



X-ray metal detectors

Secuda 5030-A



Tunnel Dimension	500 mm (W) * 300 mm (H)
Conveyor	0.22m sec speed / 170 kg. load
Conveyor	<2.9µGy / hour
Resolution	<0.101mm metal wire
Penetration	8mm Steel
Film Safety	Guaranteed ISO1600 Film
X-ray Leakage	<0.05 µGy / h
Operating Power	220VAC (± 10%) 50 ± 3Hz



Secuda 5030-C



Tunnel Dimension	500 mm (W) * 300 mm (H)
Conveyor	0.2m sec speed / 170 kg. load
Conveyor	<2.9µGy / hour
Resolution	<0.101mm metal wire
Penetration	34mm Steel
Film Safety	Guaranteed ISO1600 Film
X-ray Leakage	<0.05 µGy / h
Operating Power	220VAC (± 10%) 50 ± 3Hz



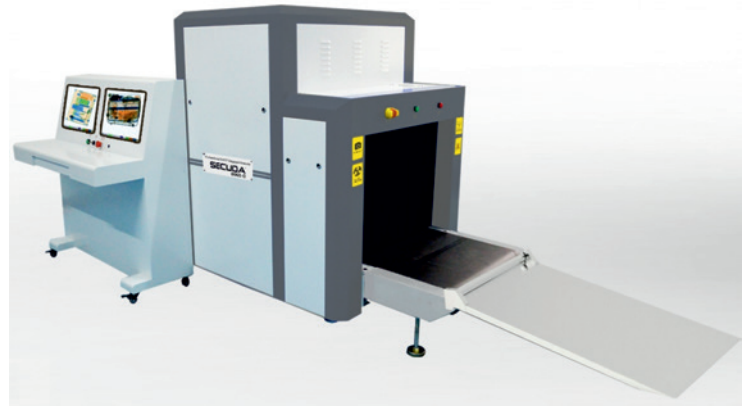
Secuda 6550



Tunnel Dimension	650 mm (W) * 500 mm (H)
Conveyor	0.2m sec speed / 170 kg. load
Conveyor	<1.4µGy / hour
Resolution	<0.0787 mm copper wire
Penetration	34mm Steel
Film Safety	Guaranteed ISO1600 Film
X-ray Leakage	<0.05 µGy / h
Operating Power	220VAC (± 10%) 50 ± 3Hz



Secuda 8065



Tunnel Dimension	800 mm (W) * 650 mm (H)
Conveyor	0.2m sec speed / 170 kg. load
Conveyor	<1.6µGy / hour
Resolution	<0.0787 mm copper wire
Penetration	34mm Steel
Film Safety	Guaranteed ISO1600 Film
X-ray Leakage	<0.01 µGy / h
Operating Power	220VAC (± 10%) 50 ± 3Hz

